

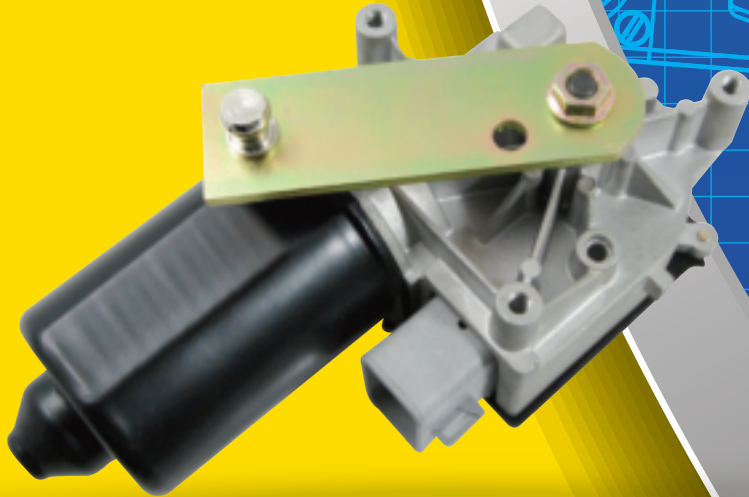
Weatherley No. 216
Catalog No. 87-708-15 WPS

Effective Date: May 2015
Supersedes Catalog No. 87-708-13WPS

WIPER MOTORS



www.waiglobal.com





WIPER MOTORS

- ▶ Global supplier
- ▶ Sealed electronics to prevent corrosion
- ▶ Aluminium housings for less weight and durability
- ▶ Tested and guaranteed to work in all climates
- ▶ Cycle tested for over a million cycles
- ▶ Top referenced vehicle coverage

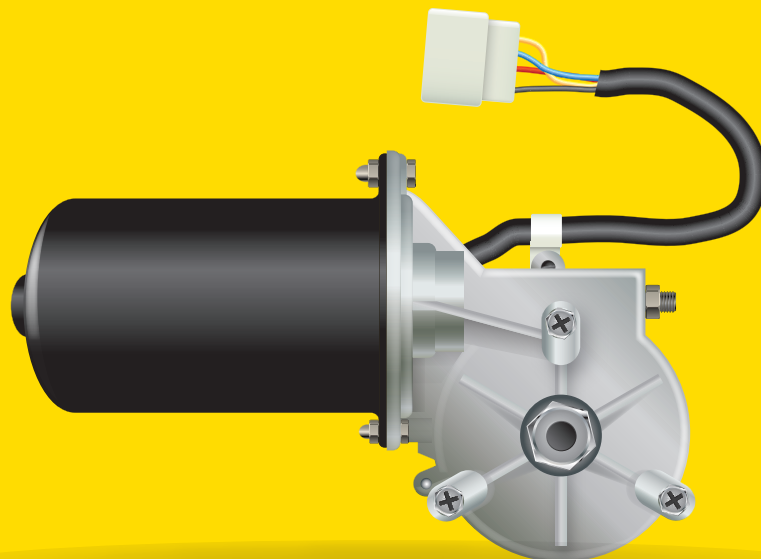


TABLE OF CONTENTS

HOW TO USE THIS CATALOG2
MODEL LISTING3-8
VEHICLE APPLICATION DATA.....9-59
PICTURE GUIDE60-78
COMPETITOR CROSS REFERENCE79-81
NUMERICAL LISTING82-92

Weatherly No. 216
 Catalog No. 87-708-15WPS
 Effective Date: May 2015
 Supersedes Catalog No. 87-708-13WPS



New Part Numbers

WPM119	WPM2002
WPM120	WPM2003
WPM121	WPM2011
WPM140	WPM2015
WPM142	WPM2036
WPM148	WPM2037
WPM154	WPM2048
WPM155	WPM2060
WPM162	WPM2103
WPM168	WPM3016L
WPM190	WPM3025
WPM438	WPM3503
WPM439	WPM4021
WPM440	WPM4028
WPM443	WPM4201
WPM444	WPM4307
WPM446	WPM4403
WPM1015	WPM6004
WPM1019	WPM6036
WPM1020	WPM6053
WPM1035	WPM8000
WPM1045	WPM8001
WPM1046	WPM8002
WPM1055	WPM8003
WPM1059	WPM8004
WPM1254	WPM8005
WPM1427	WPM8574
WPM1428	WPM85008
WPM1735	

* No Part Numbers have been Discontinued
 or Superseded

Abbreviations

"	inch
#	Number
(New)	New Part Number
Dia.	Diameter
Exc.	Except
F	Front
GVW	Gross Vehicle Weight
Lbs.	pounds
Loc	Location
No.	Number
R	Rear
RWD	Rear Wheel Drive
Spec.	Specification
SUVS	Sport Utility Vehicles
VIN	Vehicle Identification Number
w/	with
w/o	without
WPS	World Power Systems

Copyright 2015 Wetherill Associates, Inc.



HOW TO USE THIS CATALOG

NEW WIPER MOTORS

YEAR	APPLICATION	FRONT	REAR
CHEVROLET TRUCKS - MEDIUM DUTY (Cont'd)			
C8500 KODIAK			
2009-03	All	WPM1013	—
C-SERIES KODIAK			
2002-97	w/Delay	WPM158	—
	w/o Delay	WPM169	—
T5 SERIES			
1978	All	WPM180	—
T6 SERIES			
1978	All	WPM180	—
CHRYSLER			
FIFTH AVENUE			
1989	2 3/8" Dia. Motor Housing	WPM388	—
IMPERIAL			
1993-90	All	WPM387	—

Year(s)

Vehicle Manufacturer

Part No.

Model

Copyright 2015 Wetherill Associates, Inc.

MODEL INDEX

Model	Make	Page	Model	Make	Page
A4	AUDI	9		GMC SUVS / TRUCKS / VANS	32, 33
A4 QUATTRO	AUDI	9	C2500 SUBURBAN	CHEVROLET SUVS / TRUCKS / VANS	17
ACADIAN	PONTIAC	53		GMC SUVS / TRUCKS / VANS	32, 33
ACCENT	HYUNDAI	40	C25/C2500 PICKUP	GMC SUVS / TRUCKS / VANS	33
ACCLAIM	PLYMOUTH	53	C25/C2500 SUBURBAN	GMC SUVS / TRUCKS / VANS	33
ACCORD	HONDA	40	C30	CHEVROLET SUVS / TRUCKS / VANS	17
AERIO	SUZUKI	58	C30 PICKUP	CHEVROLET SUVS / TRUCKS / VANS	17
ALERO	OLDSMOBILE	51	C35	GMC SUVS / TRUCKS / VANS	33
ALTIMA	NISSAN	51	C3500	CHEVROLET SUVS / TRUCKS / VANS	17
AMBASSADOR	AMERICAN MOTORS	9		GMC SUVS / TRUCKS / VANS	32, 34
AMX	AMERICAN MOTORS	9	C3500HD	CHEVROLET SUVS / TRUCKS / VANS	17
APOLLO	BUICK	10		GMC SUVS / TRUCKS / VANS	32, 34
ARIES	DODGE	24	C35/C3500 PICKUP	GMC SUVS / TRUCKS / VANS	33
ASCENDER	ISUZU SUVS / TRUCKS	41	C4500 KODIAK	CHEVROLET MEDIUM DUTY TRUCKS	22
ASTRE	PONTIAC	53	C4500 TOPKICK	GMC MEDIUM DUTY TRUCKS	39
ASTRO	CHEVROLET SUVS / TRUCKS / VANS	16	C50	CHEVROLET MEDIUM DUTY TRUCKS	22
AURORA	OLDSMOBILE	51	C5000	GMC MEDIUM DUTY TRUCKS	39
AVALANCHE 1500	CHEVROLET SUVS / TRUCKS / VANS	16	C5000 TOPKICK	GMC MEDIUM DUTY TRUCKS	39
AVALANCHE 2500	CHEVROLET SUVS / TRUCKS / VANS	16	C5500 KODIAK	CHEVROLET MEDIUM DUTY TRUCKS	22
AVALON	TOYOTA	58	C5500 TOPKICK	GMC MEDIUM DUTY TRUCKS	39
AVIATOR	LINCOLN SUVS / TRUCKS	47	C60	CHEVROLET MEDIUM DUTY TRUCKS	22
AZERA	HYUNDAI	40	C60 KODIAK	CHEVROLET MEDIUM DUTY TRUCKS	22
B150	DODGE SUVS / TRUCKS / VANS	24	C6000	GMC MEDIUM DUTY TRUCKS	39
B1500	DODGE SUVS / TRUCKS / VANS	24	C6000 TOPKICK	GMC MEDIUM DUTY TRUCKS	39
B2300	MAZDA SUVS / TRUCKS	47	C6500 KODIAK	CHEVROLET MEDIUM DUTY TRUCKS	22
B250	DODGE SUVS / TRUCKS / VANS	24	C6500 TOPKICK	GMC MEDIUM DUTY TRUCKS	39
B2500	DODGE SUVS / TRUCKS / VANS	24	C70	CHEVROLET MEDIUM DUTY TRUCKS	22
	MAZDA SUVS / TRUCKS	47, 47	C70 KODIAK	CHEVROLET MEDIUM DUTY TRUCKS	22
B3000	MAZDA SUVS / TRUCKS	47	C7000	GMC MEDIUM DUTY TRUCKS	39
B350	DODGE SUVS / TRUCKS / VANS	24	C7000 TOPKICK	GMC MEDIUM DUTY TRUCKS	39
B3500	DODGE SUVS / TRUCKS / VANS	24, 25	C7500 KODIAK	CHEVROLET MEDIUM DUTY TRUCKS	22
B4000	MAZDA SUVS / TRUCKS	47	C7500 TOPKICK	GMC MEDIUM DUTY TRUCKS	39, 40
B60	CHEVROLET MEDIUM DUTY TRUCKS	22	CABALLERO	GMC SUVS / TRUCKS / VANS	34
B6000	GMC MEDIUM DUTY TRUCKS	39	CABRIO	VOLKSWAGEN	59
BEETLE	VOLKSWAGEN	59	CALAIS	CADILLAC	12
BEL AIR	CHEVROLET	13	CAMARO	CHEVROLET	14
BISCAYNE	CHEVROLET	13	CAMRY	TOYOTA	58
BLACKWOOD	LINCOLN SUVS / TRUCKS	47	CAPRI	MERCURY	49
BLAZER	CHEVROLET SUVS / TRUCKS / VANS	16	CAPRICE	CHEVROLET	14
BONNEVILLE	PONTIAC	53, 54	CARAVAN	DODGE SUVS / TRUCKS / VANS	25
BRAVADA	OLDSMOBILE SUVS / VANS	52, 53	CARAVELLE	PLYMOUTH	53
BRONCO	FORD SUVS / TRUCKS / VANS	28	CATALINA	PONTIAC	54
BRONCO II	FORD SUVS / TRUCKS / VANS	28	CAVALIER	CHEVROLET	14
BROUGHAM	CADILLAC	12	CELEBRITY	CHEVROLET	14
C10	CHEVROLET SUVS / TRUCKS / VANS	16	CENTURY	BUICK	10
C10 PICKUP	CHEVROLET SUVS / TRUCKS / VANS	16	CHEROKEE	JEEP SUVS / TRUCKS	41
C10 SUBURBAN	CHEVROLET SUVS / TRUCKS / VANS	16	CHEVELLE	CHEVROLET	14
C15	GMC SUVS / TRUCKS / VANS	32	CHEVETTE	CHEVROLET	14
C15 SUBURBAN	GMC SUVS / TRUCKS / VANS	33	CHEVY II	CHEVROLET	14
C1500	CHEVROLET SUVS / TRUCKS / VANS	16	CIMARRON	CADILLAC	12
	GMC SUVS / TRUCKS / VANS	32, 33	CIVIC	HONDA	40
C1500 SUBURBAN	CHEVROLET SUVS / TRUCKS / VANS	16	CJ5	JEEP SUVS / TRUCKS	41
	GMC SUVS / TRUCKS / VANS	32, 33	CJ7	JEEP SUVS / TRUCKS	41
C15/C1500 PICKUP	GMC SUVS / TRUCKS / VANS	33	CL	ACURA	9
C15/C1500 SUBURBAN	GMC SUVS / TRUCKS / VANS	33	CLASSIC	CHEVROLET	14
C20	CHEVROLET SUVS / TRUCKS / VANS	16	COBALT	CHEVROLET	14
C20 PICKUP	CHEVROLET SUVS / TRUCKS / VANS	16	COMANCHE	JEEP SUVS / TRUCKS	41
C20 SUBURBAN	CHEVROLET SUVS / TRUCKS / VANS	16, 17	COMET	MERCURY	49
C25	GMC SUVS / TRUCKS / VANS	33	COMMERCIAL CHASSIS	CADILLAC	12
C25 SUBURBAN	GMC SUVS / TRUCKS / VANS	33	CONCORD	AMERICAN MOTORS	9
C2500	CHEVROLET SUVS / TRUCKS / VANS	17	CONCORDE	CHRYSLER	23

MODEL INDEX

Model	Make	Page	Model	Make	Page
CONTINENTAL	LINCOLN	46	EDGE	FORD SUVS / TRUCKS / VANS	30
CONTOUR	FORD	26	EL CAMINO	CHEVROLET SUVS / TRUCKS / VANS	17
CORRADO	VOLKSWAGEN	59	ELANTRA	HYUNDAI	40
CORVAIR	CHEVROLET	15	ELDORADO	CADILLAC	12
CORVETTE	CHEVROLET	15	ELECTRA	BUICK	10
COUGAR	FORD	26	ENVOY	GMC SUVS / TRUCKS / VANS	34
	MERCURY	49, 49	ES250	LEXUS	46
CROWN VICTORIA	FORD	26, 27	ES300	LEXUS	46
CR-V	HONDA SUVS / VANS	40	ES330	LEXUS	46
CUSTOM CRUISER	OLDSMOBILE	51	ESCALADE	CADILLAC SUVS	12, 13
CUTLASS	OLDSMOBILE	51, 52	ESCALADE ESV	CADILLAC SUVS	13
CUTLASS CIERA	OLDSMOBILE	52	ESCALADE EXT	CADILLAC SUVS	13
CUTLASS SUPREME	OLDSMOBILE	52	ESCAPE	FORD SUVS / TRUCKS / VANS	30
D100	DODGE SUVS / TRUCKS / VANS	25	ESCORT	FORD	27
D150	DODGE SUVS / TRUCKS / VANS	25	ESTATE WAGON	BUICK	10
D250	DODGE SUVS / TRUCKS / VANS	25	EUROVAN	VOLKSWAGEN VANS	59
D350	DODGE SUVS / TRUCKS / VANS	25	EXCURSION	FORD SUVS / TRUCKS / VANS	30
DAKOTA	DODGE SUVS / TRUCKS / VANS	25	EXP	FORD	27
	RAM TRUCKS	56, 56	EXPEDITION	FORD SUVS / TRUCKS / VANS	30
DAYTONA	CHRYSLER	23	EXPLORER	FORD SUVS / TRUCKS / VANS	30
	DODGE	24, 24	EXPLORER SPORT TRAC	FORD SUVS / TRUCKS / VANS	30
DELTA 88	OLDSMOBILE	52	EXPRESS 1500	CHEVROLET SUVS / TRUCKS / VANS	17
DEVILLE	CADILLAC	12	EXPRESS 2500	CHEVROLET SUVS / TRUCKS / VANS	17
DIPLOMAT	DODGE	24	EXPRESS 3500	CHEVROLET SUVS / TRUCKS / VANS	17
DURANGO	DODGE SUVS / TRUCKS / VANS	25	F SUPER DUTY	FORD SUVS / TRUCKS / VANS	30
DYNASTY	CHRYSLER	23	F-150	FORD SUVS / TRUCKS / VANS	30
	DODGE	24, 24	F-250	FORD SUVS / TRUCKS / VANS	31
E-100 ECONOLINE	FORD SUVS / TRUCKS / VANS	28	F-250 Super Duty	FORD SUVS / TRUCKS / VANS	31
E-150	FORD SUVS / TRUCKS / VANS	28	F-250 SUPER DUTY	FORD SUVS / TRUCKS / VANS	31
E-150 Club Wagon	FORD SUVS / TRUCKS / VANS	28	F-350	FORD SUVS / TRUCKS / VANS	31
E-150 CLUB WAGON	FORD SUVS / TRUCKS / VANS	28	F-350 Super Duty	FORD SUVS / TRUCKS / VANS	31
E-150 ECONOLINE	FORD SUVS / TRUCKS / VANS	28	F-350 SUPER DUTY	FORD SUVS / TRUCKS / VANS	31
E-150 ECONOLINE CLUB			F-450 Super Duty	FORD SUVS / TRUCKS / VANS	31
WAGON	FORD SUVS / TRUCKS / VANS	28	F-450 SUPER DUTY	FORD SUVS / TRUCKS / VANS	31
E-200 ECONOLINE	FORD SUVS / TRUCKS / VANS	28	F53	FORD SUVS / TRUCKS / VANS	31
E-250	FORD SUVS / TRUCKS / VANS	28, 29	F-550 Super Duty	FORD SUVS / TRUCKS / VANS	31
E-250 ECONOLINE	FORD SUVS / TRUCKS / VANS	29	F-550 SUPER DUTY	FORD SUVS / TRUCKS / VANS	31
E-250 SUPER DUTY	FORD SUVS / TRUCKS / VANS	29	F59	FORD SUVS / TRUCKS / VANS	31
E300	MERCEDES-BENZ	48	F600	FORD MEDIUM DUTY TRUCKS	32
E-300 ECONOLINE	FORD SUVS / TRUCKS / VANS	29	F650	FORD MEDIUM DUTY TRUCKS	32
E320	MERCEDES-BENZ	48	F700	FORD MEDIUM DUTY TRUCKS	32
E-350	FORD SUVS / TRUCKS / VANS	29	F750	FORD MEDIUM DUTY TRUCKS	32
E-350 CLUB WAGON	FORD SUVS / TRUCKS / VANS	29	F800	FORD MEDIUM DUTY TRUCKS	32
E-350 ECONOLINE	FORD SUVS / TRUCKS / VANS	29	F85	OLDSMOBILE	52
E-350 ECONOLINE CLUB			FALCON	FORD	27
WAGON	FORD SUVS / TRUCKS / VANS	29	FIERO	PONTIAC	54
E-350 SUPER DUTY	FORD SUVS / TRUCKS / VANS	29	FIFTH AVENUE	CHRYSLER	23
E420	MERCEDES-BENZ	48	FIREBIRD	PONTIAC	54
E-450 ECONOLINE SUPER			FIRENZA	OLDSMOBILE	52
DUTY	FORD SUVS / TRUCKS / VANS	29	FIVE HUNDRED	FORD	27
E-450 ECONOLINE SUPER DUTY			FLEETWOOD	CADILLAC	12
STRIPPED	FORD SUVS / TRUCKS / VANS	29	FOCUS	FORD	27
E-450 SUPER DUTY	FORD SUVS / TRUCKS / VANS	29	FORTE	KIA	46
E-450 SUPER DUTY STRIPPED			FORTE5	KIA	46
CHASSIS	FORD SUVS / TRUCKS / VANS	29	FREESTYLE	FORD SUVS / TRUCKS / VANS	31
E500	MERCEDES-BENZ	48	FT800	FORD MEDIUM DUTY TRUCKS	32
E-550 ECONOLINE SUPER			G10	CHEVROLET SUVS / TRUCKS / VANS	17
DUTY	FORD SUVS / TRUCKS / VANS	29	G10 VAN	CHEVROLET SUVS / TRUCKS / VANS	18
E-550 SUPER DUTY	FORD SUVS / TRUCKS / VANS	29	G1000 SERIES	GMC SUVS / TRUCKS / VANS	34
EAGLE	AMERICAN MOTORS	9	G15	GMC SUVS / TRUCKS / VANS	34
ECONOLINE SUPER DUTY	FORD SUVS / TRUCKS / VANS	29, 30	G1500	GMC SUVS / TRUCKS / VANS	34

MODEL INDEX

Model	Make	Page	Model	Make	Page
G15/G1500 VAN.....	GMC SUVS / TRUCKS / VANS	34	K10 PICKUP.....	CHEVROLET SUVS / TRUCKS / VANS.....	18
G20.....	CHEVROLET SUVS / TRUCKS / VANS.....	18	K10 SUBURBAN.....	CHEVROLET SUVS / TRUCKS / VANS.....	18
G20 VAN.....	CHEVROLET SUVS / TRUCKS / VANS.....	18	K15.....	GMC SUVS / TRUCKS / VANS.....	35
G25.....	GMC SUVS / TRUCKS / VANS.....	34	K15 SUBURBAN.....	GMC SUVS / TRUCKS / VANS.....	35
G2500.....	GMC SUVS / TRUCKS / VANS.....	34	K1500.....	CHEVROLET SUVS / TRUCKS / VANS.....	18
G25/G2500 VAN.....	GMC SUVS / TRUCKS / VANS.....	34		GMC SUVS / TRUCKS / VANS.....	32, 35
G30.....	CHEVROLET SUVS / TRUCKS / VANS.....	18	K1500 SUBURBAN.....	CHEVROLET SUVS / TRUCKS / VANS.....	18
G35.....	GMC SUVS / TRUCKS / VANS.....	34		GMC SUVS / TRUCKS / VANS.....	32, 35
G3500.....	GMC SUVS / TRUCKS / VANS.....	34	K15/K1500 PICKUP.....	GMC SUVS / TRUCKS / VANS.....	35
G35/G3500 VAN.....	GMC SUVS / TRUCKS / VANS.....	34	K15/K1500 SUBURBAN.....	GMC SUVS / TRUCKS / VANS.....	35
G5.....	PONTIAC.....	54	K20.....	CHEVROLET SUVS / TRUCKS / VANS.....	18
GL320.....	MERCEDES-BENZ SUVS.....	49	K20 PICKUP.....	CHEVROLET SUVS / TRUCKS / VANS.....	18
GL350.....	MERCEDES-BENZ SUVS.....	49	K20 SUBURBAN.....	CHEVROLET SUVS / TRUCKS / VANS.....	18
GL450.....	MERCEDES-BENZ SUVS.....	49	K25.....	GMC SUVS / TRUCKS / VANS.....	35
GL550.....	MERCEDES-BENZ SUVS.....	49	K25 SUBURBAN.....	GMC SUVS / TRUCKS / VANS.....	35
GOLF.....	VOLKSWAGEN.....	59	K2500.....	CHEVROLET SUVS / TRUCKS / VANS.....	18, 19
GRAN FURY.....	PLYMOUTH.....	53		GMC SUVS / TRUCKS / VANS.....	32, 35
GRANADA.....	FORD.....	27	K2500 SUBURBAN.....	CHEVROLET SUVS / TRUCKS / VANS.....	19
GRAND AM.....	PONTIAC.....	54		GMC SUVS / TRUCKS / VANS.....	32, 35, 36
GRAND CARAVAN.....	DODGE SUVS / TRUCKS / VANS.....	25	K25/K2500 PICKUP.....	GMC SUVS / TRUCKS / VANS.....	35
GRAND CHEROKEE.....	JEEP SUVS / TRUCKS.....	41	K25/K2500 SUBURBAN.....	GMC SUVS / TRUCKS / VANS.....	35
GRAND MARQUIS.....	MERCURY.....	49	K30.....	CHEVROLET SUVS / TRUCKS / VANS.....	19
GRAND MARQUIS (Mexico).....	FORD.....	27	K30 PICKUP.....	CHEVROLET SUVS / TRUCKS / VANS.....	19
GRAND PRIX.....	PONTIAC.....	54	K35.....	GMC SUVS / TRUCKS / VANS.....	36
GRAND SAFARI.....	PONTIAC.....	55	K3500.....	CHEVROLET SUVS / TRUCKS / VANS.....	19
GRAND VOYAGER.....	CHRYSLER VANS.....	23		GMC SUVS / TRUCKS / VANS.....	32, 36
	PLYMOUTH VANS.....	53, 53	K35/K3500 PICKUP.....	GMC SUVS / TRUCKS / VANS.....	36
GRAND WAGONEER.....	JEEP SUVS / TRUCKS.....	41	K5 BLAZER.....	CHEVROLET SUVS / TRUCKS / VANS.....	19
GREMLIN.....	AMERICAN MOTORS.....	9	L100.....	SATURN.....	56
GTO.....	PONTIAC.....	55	L200.....	SATURN.....	56
HOMBRE.....	ISUZU SUVS / TRUCKS.....	41	L300.....	SATURN.....	56
HORIZON.....	PLYMOUTH.....	53	L300-1.....	SATURN.....	56
HORNET.....	AMERICAN MOTORS.....	9	L300-2.....	SATURN.....	57
IMPALA.....	CHEVROLET.....	15	L300-3.....	SATURN.....	57
IMPERIAL.....	CHRYSLER.....	23	LANCER.....	DODGE.....	24
INTREPID.....	CHRYSLER.....	23	LEBARON.....	CHRYSLER.....	23
	DODGE.....	24, 24	LEMANS.....	PONTIAC.....	55
INTRIGUE.....	OLDSMOBILE.....	52	LESABRE.....	BUICK.....	10, 11
ION.....	SATURN.....	56	LHS.....	CHRYSLER.....	23
ION-1.....	SATURN.....	56	LIBERTY.....	JEEP SUVS / TRUCKS.....	42
ION-2.....	SATURN.....	56	LN7.....	MERCURY.....	49
ION-3.....	SATURN.....	56	LOBO (Mexico).....	FORD SUVS / TRUCKS / VANS.....	31
IS300.....	LEXUS.....	46	LS.....	LINCOLN.....	47
J10.....	JEEP SUVS / TRUCKS.....	41		SATURN.....	56, 57
J-100.....	JEEP SUVS / TRUCKS.....	41	LS1.....	SATURN.....	57
J20.....	JEEP SUVS / TRUCKS.....	41	LS2.....	SATURN.....	57
J2000.....	PONTIAC.....	55	LTD.....	FORD.....	27
J2000 SUNBIRD.....	PONTIAC.....	55	LUMINA APV.....	CHEVROLET SUVS / TRUCKS / VANS.....	19
J-2500.....	JEEP SUVS / TRUCKS.....	42	LW1.....	SATURN.....	57
J-2600.....	JEEP SUVS / TRUCKS.....	42	LW2.....	SATURN.....	57
J-2700.....	JEEP SUVS / TRUCKS.....	42	LW200.....	SATURN.....	57
J-2800.....	JEEP SUVS / TRUCKS.....	42	LW300.....	SATURN.....	57
J-3500.....	JEEP SUVS / TRUCKS.....	42	LYNX.....	MERCURY.....	49
J-3600.....	JEEP SUVS / TRUCKS.....	42	M5.....	BMW SUVS.....	10
J-3700.....	JEEP SUVS / TRUCKS.....	42	MALIBU.....	CHEVROLET.....	15
J-3800.....	JEEP SUVS / TRUCKS.....	42	MARAUDER.....	MERCURY.....	50
JAVELIN.....	AMERICAN MOTORS.....	9	MARINER.....	MERCURY SUVS / VANS.....	50
JEEPSTER.....	JEEP SUVS / TRUCKS.....	42	MARK LT.....	LINCOLN SUVS / TRUCKS.....	47
JETTA.....	VOLKSWAGEN.....	59	MARK VIII.....	LINCOLN.....	47
JIMMY.....	GMC SUVS / TRUCKS / VANS.....	34, 35	MARQUIS.....	MERCURY.....	50
K10.....	CHEVROLET SUVS / TRUCKS / VANS.....	18	MATADOR.....	AMERICAN MOTORS.....	9

MODEL INDEX

Model	Make	Page	Model	Make	Page
MAVERICK.....	FORD.....	27	R10.....	CHEVROLET SUVS / TRUCKS / VANS.....	20
MDX.....	ACURA SUVS.....	9	R10 SUBURBAN.....	CHEVROLET SUVS / TRUCKS / VANS.....	20
MIRAGE.....	MITSUBISHI.....	51	R1500.....	GMC SUVS / TRUCKS / VANS.....	37
MKX.....	LINCOLN SUVS / TRUCKS.....	47	R1500 SUBURBAN.....	CHEVROLET SUVS / TRUCKS / VANS.....	20
ML320.....	MERCEDES-BENZ SUVS.....	49		GMC SUVS / TRUCKS / VANS.....	32, 37
ML350.....	MERCEDES-BENZ SUVS.....	49	R20.....	CHEVROLET SUVS / TRUCKS / VANS.....	20
ML450.....	MERCEDES-BENZ SUVS.....	49	R20 SUBURBAN.....	CHEVROLET SUVS / TRUCKS / VANS.....	20
ML500.....	MERCEDES-BENZ SUVS.....	49	R2500.....	CHEVROLET SUVS / TRUCKS / VANS.....	20
ML550.....	MERCEDES-BENZ SUVS.....	49		GMC SUVS / TRUCKS / VANS.....	32, 37
ML63 AMG.....	MERCEDES-BENZ SUVS.....	49	R2500 SUBURBAN.....	CHEVROLET SUVS / TRUCKS / VANS.....	20
MONACO.....	DODGE.....	24		GMC SUVS / TRUCKS / VANS.....	32, 37
MONARCH.....	MERCURY.....	50	R30.....	CHEVROLET SUVS / TRUCKS / VANS.....	20
MONTANA.....	PONTIAC VANS.....	56	R320.....	MERCEDES-BENZ.....	48
MONTE CARLO.....	CHEVROLET.....	15	R350.....	MERCEDES-BENZ.....	48
MONTEGO.....	MERCURY.....	50	R3500.....	CHEVROLET SUVS / TRUCKS / VANS.....	20
MONTERO SPORT.....	MITSUBISHI SUVS / TRUCKS.....	51		GMC SUVS / TRUCKS / VANS.....	32, 37
MONZA.....	CHEVROLET.....	15	R500.....	MERCEDES-BENZ.....	48
MOUNTAINEER.....	MERCURY SUVS / VANS.....	50	R63 AMG.....	MERCEDES-BENZ.....	48
MUSTANG.....	FORD.....	27	RAIDER.....	MITSUBISHI SUVS / TRUCKS.....	51
MYSTIQUE.....	MERCURY.....	50	RAINIER.....	BUICK SUVS.....	11
MYSTIQUE (Mexico).....	FORD.....	27	RAM 1500.....	DODGE SUVS / TRUCKS / VANS.....	25
NAVAJO.....	MAZDA SUVS / TRUCKS.....	47	RAM 1500 VAN.....	DODGE SUVS / TRUCKS / VANS.....	25
NAVIGATOR.....	LINCOLN SUVS / TRUCKS.....	47	RAM 2500.....	DODGE SUVS / TRUCKS / VANS.....	25
NEW YORKER.....	CHRYSLER.....	23	RAM 2500 VAN.....	DODGE SUVS / TRUCKS / VANS.....	25
NOVA.....	CHEVROLET.....	15	RAM 3500.....	DODGE SUVS / TRUCKS / VANS.....	25, 26
ODYSSEY.....	HONDA SUVS / VANS.....	40	RAM 3500 VAN.....	DODGE SUVS / TRUCKS / VANS.....	26
OMEGA.....	OLDSMOBILE.....	52	RAM 4000.....	DODGE SUVS / TRUCKS / VANS.....	26
OMNI.....	DODGE.....	24	RAM 4500.....	DODGE SUVS / TRUCKS / VANS.....	26
OUTLANDER.....	MITSUBISHI SUVS / TRUCKS.....	51	RAM 5500.....	DODGE SUVS / TRUCKS / VANS.....	26
P10.....	CHEVROLET SUVS / TRUCKS / VANS.....	19	RAMCHARGER.....	DODGE SUVS / TRUCKS / VANS.....	26
P10 SERIES.....	CHEVROLET SUVS / TRUCKS / VANS.....	19	RANGE ROVER.....	LAND ROVER SUVS.....	46
P10 VAN.....	CHEVROLET SUVS / TRUCKS / VANS.....	19	RANGER.....	FORD SUVS / TRUCKS / VANS.....	31
P15.....	GMC SUVS / TRUCKS / VANS.....	36	RAV4.....	TOYOTA SUVS / TRUCKS / VANS.....	58
P15/P1500 VAN.....	GMC SUVS / TRUCKS / VANS.....	36	REGAL.....	BUICK.....	11
P20.....	CHEVROLET SUVS / TRUCKS / VANS.....	19	RELAY.....	SATURN SUVS / VANS.....	57
P20 SERIES.....	CHEVROLET SUVS / TRUCKS / VANS.....	19	RELAY-1.....	SATURN SUVS / VANS.....	58
P20 VAN.....	CHEVROLET SUVS / TRUCKS / VANS.....	19	RELAY-2.....	SATURN SUVS / VANS.....	58
P25.....	GMC SUVS / TRUCKS / VANS.....	36	RELAY-3.....	SATURN SUVS / VANS.....	58
P2500.....	GMC SUVS / TRUCKS / VANS.....	36	RELIANT.....	PLYMOUTH.....	53
P25/P2500 VAN.....	GMC SUVS / TRUCKS / VANS.....	36	RIVIERA.....	BUICK.....	11
P30.....	CHEVROLET SUVS / TRUCKS / VANS.....	19, 20	RX330.....	LEXUS SUVS.....	46
P30 SERIES.....	CHEVROLET SUVS / TRUCKS / VANS.....	20	RX350.....	LEXUS SUVS.....	46
P30 VAN.....	CHEVROLET SUVS / TRUCKS / VANS.....	20	S10 BLAZER.....	CHEVROLET SUVS / TRUCKS / VANS.....	20
P35.....	GMC SUVS / TRUCKS / VANS.....	36	S10 PICKUP.....	CHEVROLET SUVS / TRUCKS / VANS.....	20
P3500.....	GMC SUVS / TRUCKS / VANS.....	36	S15 JIMMY.....	GMC SUVS / TRUCKS / VANS.....	37
P35/P3500 VAN.....	GMC SUVS / TRUCKS / VANS.....	36	S15 PICKUP.....	GMC SUVS / TRUCKS / VANS.....	37
PARISIENNE.....	PONTIAC.....	55	S4.....	AUDI.....	9
PARK AVENUE.....	BUICK.....	11	SABLE.....	MERCURY.....	50
PASEO.....	TOYOTA.....	58	SABLE (Mexico).....	FORD.....	27
PASSAT.....	VOLKSWAGEN.....	59	SAFARI.....	GMC SUVS / TRUCKS / VANS.....	37
PB1000 SERIES.....	GMC SUVS / TRUCKS / VANS.....	36		PONTIAC.....	53, 55
PB15 SERIES.....	GMC SUVS / TRUCKS / VANS.....	37	SAVANA 1500.....	GMC SUVS / TRUCKS / VANS.....	37
PB25 SERIES.....	GMC SUVS / TRUCKS / VANS.....	37	SAVANA 2500.....	GMC SUVS / TRUCKS / VANS.....	37
PB2500 SERIES.....	GMC SUVS / TRUCKS / VANS.....	37	SAVANA 3500.....	GMC SUVS / TRUCKS / VANS.....	37
PHOENIX.....	PONTIAC.....	55	SC.....	SATURN.....	57
PICKUP.....	TOYOTA SUVS / TRUCKS / VANS.....	58	SC1.....	SATURN.....	57
PILOT.....	HONDA SUVS / VANS.....	40	SC2.....	SATURN.....	57
PREMIER.....	EAGLE.....	26	SEVILLE.....	CADILLAC.....	12
PT CRUISER.....	CHRYSLER.....	23	SHADOW.....	DODGE.....	24
PURSUIT.....	PONTIAC.....	55	SIENNA.....	TOYOTA SUVS / TRUCKS / VANS.....	59
QUEST.....	NISSAN VANS.....	51	SIERRA 1500.....	GMC SUVS / TRUCKS / VANS.....	37

MODEL INDEX

Model	Make	Page	Model	Make	Page
SIERRA 1500 HD	GMC SUVS / TRUCKS / VANS	37, 38	TSX	ACURA	9
SIERRA 2500	GMC SUVS / TRUCKS / VANS	38	TYPHOON	GMC SUVS / TRUCKS / VANS	38
SIERRA 2500 HD	GMC SUVS / TRUCKS / VANS	38	UPLANDER	CHEVROLET SUVS / TRUCKS / VANS	21
SIERRA 3500	GMC SUVS / TRUCKS / VANS	38	V10	CHEVROLET SUVS / TRUCKS / VANS	21
SILHOUETTE	OLDSMOBILE SUVS / VANS	53	V10 SUBURBAN	CHEVROLET SUVS / TRUCKS / VANS	21
SILVERADO 1500	CHEVROLET SUVS / TRUCKS / VANS	20	V1500	GMC SUVS / TRUCKS / VANS	38
SILVERADO 1500 HD	CHEVROLET SUVS / TRUCKS / VANS	20	V1500 SUBURBAN	CHEVROLET SUVS / TRUCKS / VANS	21
SILVERADO 2500	CHEVROLET SUVS / TRUCKS / VANS	21		GMC SUVS / TRUCKS / VANS	32, 38
SILVERADO 2500 HD	CHEVROLET SUVS / TRUCKS / VANS	21	V20	CHEVROLET SUVS / TRUCKS / VANS	21
SILVERADO 3500	CHEVROLET SUVS / TRUCKS / VANS	21	V20 SUBURBAN	CHEVROLET SUVS / TRUCKS / VANS	21
SKYHAWK	BUICK	11	V2500	GMC SUVS / TRUCKS / VANS	38
SKYLARK	BUICK	11	V2500 SUBURBAN	CHEVROLET SUVS / TRUCKS / VANS	21
SL	SATURN	57		GMC SUVS / TRUCKS / VANS	32, 38
SL1	SATURN	57	V30	CHEVROLET SUVS / TRUCKS / VANS	22
SL2	SATURN	57	V3500	CHEVROLET SUVS / TRUCKS / VANS	22
SOLARA	TOYOTA	58		GMC SUVS / TRUCKS / VANS	32, 38
SONATA	HYUNDAI	40	VEGA	CHEVROLET	15
SONOMA	GMC SUVS / TRUCKS / VANS	38	VENTURA	PONTIAC	56
SPECIAL	BUICK	11	VENTURE	CHEVROLET SUVS / TRUCKS / VANS	22
SPIRIT	AMERICAN MOTORS	9	VERACRUZ	HYUNDAI SUVS	40
	DODGE	24, 24	VERNA (Mexico)	DODGE	24
SPRINT	GMC SUVS / TRUCKS / VANS	38	VERSAILLES	LINCOLN	47
STARFIRE	OLDSMOBILE	52	VILLAGER	MERCURY SUVS / VANS	50
S-TYPE	JAGUAR	41	VISION	EAGLE	26
SUBURBAN	CHEVROLET SUVS / TRUCKS / VANS	21	VOYAGER	CHRYSLER VANS	23
	GMC SUVS / TRUCKS / VANS	32, 38		PLYMOUTH VANS	53, 53
SUBURBAN 1500	CHEVROLET SUVS / TRUCKS / VANS	21	VUE	SATURN SUVS / VANS	58
SUBURBAN 2500	CHEVROLET SUVS / TRUCKS / VANS	21	W100	DODGE SUVS / TRUCKS / VANS	26
SUNBIRD	PONTIAC	55	W150	DODGE SUVS / TRUCKS / VANS	26
SUNDANCE	PLYMOUTH	53	W250	DODGE SUVS / TRUCKS / VANS	26
SUNFIRE	PONTIAC	55	W350	DODGE SUVS / TRUCKS / VANS	26
SUPRA	TOYOTA	58	WAGONEER	JEEP SUVS / TRUCKS	42
SW1	SATURN	57	WINDSTAR	FORD SUVS / TRUCKS / VANS	31, 32
SW2	SATURN	57	WRANGLER	JEEP SUVS / TRUCKS	42
SYCLONE	GMC SUVS / TRUCKS / VANS	38	WWJ SERIES	BLUEBIRD BUS	10
T1000	PONTIAC	55	XB	SCION	58
T40	CHEVROLET MEDIUM DUTY TRUCKS	22	YJ	JEEP SUVS / TRUCKS	42
	GMC MEDIUM DUTY TRUCKS	39, 40	YUKON	GMC SUVS / TRUCKS / VANS	39
T6	CHEVROLET MEDIUM DUTY TRUCKS	22	YUKON XL 1500	GMC SUVS / TRUCKS / VANS	39
	GMC MEDIUM DUTY TRUCKS	39, 40	YUKON XL 2500	GMC SUVS / TRUCKS / VANS	39
TAHOE	CHEVROLET SUVS / TRUCKS / VANS	21	ZEPHYR	MERCURY	50
TAURUS	FORD	27	1000 SERIES	GMC SUVS / TRUCKS / VANS	32
TC MASERATI	CHRYSLER	23	1500 SERIES	GMC SUVS / TRUCKS / VANS	32
TEMPEST	PONTIAC	55, 56	190D	MERCEDES-BENZ	48
TEMPO	FORD	28	190E	MERCEDES-BENZ	48
TERCEL	TOYOTA	58	2250	JOHN DEERE	43
TERRAZA	BUICK SUVS	11	2270	JOHN DEERE	43
THUNDERBIRD	FORD	28	2280	JOHN DEERE	43
TIBURON	HYUNDAI	40	2320 WINDROWER	JOHN DEERE	46
TJ	JEEP SUVS / TRUCKS	42	2420	JOHN DEERE	43
TL	ACURA	9	2500 SERIES	GMC SUVS / TRUCKS / VANS	32
TOPAZ	MERCURY	50	2510	JOHN DEERE	43
TOPAZ (Mexico)	FORD	28	260E	MERCEDES-BENZ	48
TORINO	FORD	28	30 NM	BLUEBIRD BUS	9, 10
TORONADO	OLDSMOBILE	52	300CE	MERCEDES-BENZ	48
TOWN & COUNTRY	CHRYSLER VANS	23	300D	MERCEDES-BENZ	48
TOWN CAR	LINCOLN	47	300E	MERCEDES-BENZ	48
TRACER	MERCURY	50	300TE	MERCEDES-BENZ	48
TRAILBLAZER	CHEVROLET SUVS / TRUCKS / VANS	21	3020	JOHN DEERE	43
TRANS SPORT	PONTIAC VANS	56	32 NM	BLUEBIRD BUS	10
TRIBUTE	MAZDA SUVS / TRUCKS	48	4000	JOHN DEERE	43

MODEL INDEX

Model	Make	Page	Model	Make	Page
400E	MERCEDES-BENZ	48	7720	JOHN DEERE	45
4020	JOHN DEERE	43	8430	JOHN DEERE	45
4030	JOHN DEERE	43	8440	JOHN DEERE	45
4040	JOHN DEERE	43	8450	JOHN DEERE	45
4050	JOHN DEERE	43	8630	JOHN DEERE	45
4055	JOHN DEERE	43	8640	JOHN DEERE	45
4230	JOHN DEERE	43	8650	JOHN DEERE	45
4240	JOHN DEERE	43	8820	JOHN DEERE	45
4250	JOHN DEERE	43	8850	JOHN DEERE	45
4255	JOHN DEERE	43	90XT	CASE	13
4320	JOHN DEERE	43	95XT	CASE	13
4400	JOHN DEERE	43	9-7X	SAAB SUVS	56
4420	JOHN DEERE	43	98	OLDSMOBILE	51
4430	JOHN DEERE	43	9900	JOHN DEERE	45
4440	JOHN DEERE	43	9910	JOHN DEERE	45
4450	JOHN DEERE	44	9920	JOHN DEERE	45
4455	JOHN DEERE	44	9930	JOHN DEERE	45
4520	JOHN DEERE	44	9940	JOHN DEERE	46
4555	JOHN DEERE	44	9950	JOHN DEERE	46
4560	JOHN DEERE	44	9960	JOHN DEERE	46
4630	JOHN DEERE	44			
4640	JOHN DEERE	44			
4650	JOHN DEERE	44			
4755	JOHN DEERE	44			
4760	JOHN DEERE	44			
484	JOHN DEERE	42			
4840	JOHN DEERE	44			
4850	JOHN DEERE	44			
4955	JOHN DEERE	44			
4960	JOHN DEERE	44			
4RUNNER	TOYOTA SUVS / TRUCKS / VANS	58			
500E	MERCEDES-BENZ	48			
5020	JOHN DEERE	44			
5200	JOHN DEERE	44			
525I	BMW	10			
528I	BMW	10			
530I	BMW	10			
5400	JOHN DEERE	44			
540I	BMW	10			
5440	JOHN DEERE	44			
5460	JOHN DEERE	44			
570LXT	CASE	13			
5720	JOHN DEERE	44			
580K	CASE	13			
580L	CASE	13			
580SK	CASE	13			
580SL	CASE	13			
5820	JOHN DEERE	44			
590 TURBO	CASE	13			
590L	CASE	13			
590SL	CASE	13			
6000	JOHN DEERE	45			
	PONTIAC	53, 53			
6030	JOHN DEERE	45			
6600	JOHN DEERE	45			
6620	JOHN DEERE	45			
7020	JOHN DEERE	45			
7440	JOHN DEERE	45			
7445	JOHN DEERE	45			
7520 FARM TRACTOR	JOHN DEERE	46			
7700	JOHN DEERE	45			

NEW WIPER MOTORS

YEAR	APPLICATION	FRONT	REAR
ACURA			
CL			
1999-97	All	WPM1427 (New)	—
TL			
2008-04	All	WPM4028 (New)	—
1998-95	All	WPM1427 (New)	—
TSX			
2008-04	All	WPM4028 (New)	—
ACURA SUVS			
MDX			
2006-05	All	WPM4028 (New)	—
AMERICAN MOTORS			
AMBASSADOR			
1974-73	All	WPM265	—
AMX			
1980-73	All	WPM265	—
CONCORD			
1983-78	All	WPM265	—
EAGLE			
1988-80	All	WPM265	—
GREMLIN			
1978-73	2-Speed Wipers	WPM265	—
HORNET			
1977-73	2-Speed Wipers	WPM265	—
JAVELIN			
1974-73	All	WPM265	—
MATADOR			
1978-74	4 Door	WPM265	—
1973	All	WPM265	—
SPIRIT			
1983-79	2-Speed Wipers	WPM265	—
AUDI			
A4			
2001-96	w/5 Pin Connector	WPM3503 (New)	—
A4 QUATTRO			
2002-96	w/5 Pin Connector	WPM3503 (New)	—
S4			
2002-01	w/5 Pin Connector	WPM3503 (New)	—
BLUEBIRD BUS			
30 NM			
All	Left	WPM8000 (New)	—

VEHICLE APPLICATION DATA

(New) denotes New Part Number

NEW WIPER MOTORS

VEHICLE APPLICATION DATA

YEAR	APPLICATION	FRONT	REAR
BLUEBIRD BUS (Cont'd)			
30 NM (Cont'd)			
All (Cont'd)			
	Right	WPM8001 (New)	—
32 NM			
All	All	WPM8002 (New)	—
WWJ SERIES			
All	Left and Right	WPM8003 (New)	—
BMW			
525I			
2004-01	All	WPM2103 (New)	—
528I			
2000-97	All	WPM2103 (New)	—
530I			
2003-01	All	WPM2103 (New)	—
540I			
2003-97	All	WPM2103 (New)	—
BMW SUVS			
M5			
2003-00	All	WPM2103 (New)	—
BUICK			
APOLLO			
1975-73	All	WPM140 (New)	—
CENTURY			
2005-97	All	WPM1012	—
1983-74	w/2 Terminals and w/1 Red Wire From Under Relay	WPM168 (New)	—
	w/3 Terminals	WPM162 (New)	—
1973	w/3 Terminals and Connector Located on the Bottom	WPM142 (New)	—
	Right Side	WPM162 (New)	—
ELECTRA			
1989-86	Wagon, w/Delay and w/1 Red Wire From Under Relay	WPM168 (New)	—
	w/o Delay	WPM162 (New)	—
1985-75	w/Delay and w/1 Red Wire From Under Relay	WPM168 (New)	—
	w/o Delay	WPM162 (New)	—
1974	w/o Delay, w/3 Terminals and Connector Located on Right Side	WPM162 (New)	—
1973	w/o Delay, w/3 Terminals and Connector Located on Right Side	WPM162 (New)	—
	Demand Pump and w/3 Terminals and Connector Located on the Bottom	WPM142 (New)	—
1972-68	w/o Demand Pump	WPM142 (New)	—
ESTATE WAGON			
1979-74	w/Delay and w/1 Red Wire From Under Relay	WPM168 (New)	—
	w/o Delay	WPM162 (New)	—
1973	w/o Demand Pump and w/3 Terminals and Connector Located on the Bottom	WPM142 (New)	—
	Delay, w/3 Terminals and Connector Located on Right Side	WPM162 (New)	—
LESABRE			
2005-00	All	WPM1029	—

(New) denotes New Part Number

NEW WIPER MOTORS

YEAR	APPLICATION	FRONT	REAR
BUICK (Cont'd)			
LESABRE (Cont'd)			
1990-86	Wagon, w/Delay and w/1 Red Wire From Under Relay	WPM168 (New)	—
1989-86	Wagon, w/o Delay	WPM162 (New)	—
1985-75	w/Delay and w/1 Red Wire From Under Relay	WPM168 (New)	—
	w/o Delay	WPM162 (New)	—
1974	w/o Delay, w/3 Terminals and Connector Located on Right Side	WPM162 (New)	—
1973	w/o Delay, w/3 Terminals and Connector Located on Right Side	WPM162 (New)	—
	Demand Pump and w/3 Terminals and Connector Located on the Bottom	WPM142 (New)	—
1972-68	w/o Demand Pump	WPM142 (New)	—
PARK AVENUE			
2005-97	All	WPM1020 (New)	—
REGAL			
2004-97	All	WPM1012	—
1983-75	w/Delay and w/1 Red Wire From Under Relay	WPM168 (New)	—
	w/o Delay	WPM162 (New)	—
1974	w/3 Terminals and Connector Located on Right Side	WPM162 (New)	—
1973	w/3 Terminals and Connector Located on Right Side	WPM162 (New)	—
	the Bottom	WPM142 (New)	—
RIVIERA			
1985-75	w/Delay and w/1 Red Wire From Under Relay	WPM168 (New)	—
	w/o Delay	WPM162 (New)	—
1974	w/3 Terminals and Connector Located on Right Side	WPM162 (New)	—
1973	w/3 Terminals and Connector Located on Right Side	WPM162 (New)	—
	w/o Demand Pump and w/3 Terminals and Connector Located on the Bottom	WPM142 (New)	—
1972-68	w/o Demand Pump	WPM142 (New)	—
SKYHAWK			
1989-84	Exc. Hatchback & wagon, w/Delay	WPM191	—
	w/o Delay	WPM190 (New)	—
1983-82	All	WPM190 (New)	—
1980-75	All	WPM140 (New)	—
SKYLARK			
1979-75	All	WPM140 (New)	—
1972-68	Concealed Wipers and w/o Demand Pump	WPM142 (New)	—
	Non-Concealed Wipers	WPM140 (New)	—
1967-64	1 Speed Wipers	WPM119 (New)	—
	2-Speed Wipers w/3 Terminals	WPM120 (New)	—
	w/4 Terminals	WPM121 (New)	—
SPECIAL			
1969-68	Concealed Wipers and w/o Demand Pump	WPM142 (New)	—
	Non-Concealed Wipers	WPM140 (New)	—
1967-64	1 Speed Wipers	WPM119 (New)	—
	2-Speed Wipers w/3 Terminals	WPM120 (New)	—
	w/4 Terminals	WPM121 (New)	—
BUICK SUVS			
RAINIER			
2007-04	All	—	WPM1045 (New)
TERRAZA			
2007-05	All	—	WPM1058

VEHICLE APPLICATION DATA

(New) denotes New Part Number

NEW WIPER MOTORS

VEHICLE APPLICATION DATA

YEAR	APPLICATION	FRONT	REAR
CADILLAC			
BROUGHAM			
1992-90	w/Delay and w/1 Red Wire From Under Relay	WPM168 (New)	—
1989-87	w/Delay and w/1 Red Wire From Under Relay	WPM168 (New)	—
	w/o Delay	WPM162 (New)	—
CALAIS			
1976-75	w/Delay and w/1 Red Wire From Under Relay	WPM168 (New)	—
	w/o Delay	WPM162 (New)	—
1974	w/3 Terminals and Connector Located on Right Side	WPM162 (New)	—
1973	w/3 Terminals and Connector Located on Right Side	WPM162 (New)	—
	the Bottom	WPM142 (New)	—
1972-68	All	WPM142 (New)	—
CIMARRON			
1988-84	w/Delay	WPM191	—
	w/o Delay	WPM190 (New)	—
1983-82	All	WPM190 (New)	—
COMMERCIAL CHASSIS			
1984-75	w/Delay and w/1 Red Wire From Under Relay	WPM168 (New)	—
	w/o Delay	WPM162 (New)	—
1974	w/3 Terminals and Connector Located on Right Side	WPM162 (New)	—
1973	w/3 Terminals and Connector Located on Right Side	WPM162 (New)	—
	the Bottom	WPM142 (New)	—
1972-68	All	WPM142 (New)	—
DEVILLE			
2005-00	All	WPM1029	—
1984-75	w/Delay and w/1 Red Wire From Under Relay	WPM168 (New)	—
1984-74	w/o Delay	WPM162 (New)	—
1973	w/3 Terminals and Connector Located on the Bottom	WPM142 (New)	—
	Right Side	WPM162 (New)	—
1972-68	All	WPM142 (New)	—
ELDORADO			
1978-75	w/Delay and w/1 Red Wire From Under Relay	WPM168 (New)	—
	w/o Delay	WPM162 (New)	—
1974	w/3 Terminals and Connector Located on Right Side	WPM162 (New)	—
1973	w/3 Terminals and Connector Located on Right Side	WPM162 (New)	—
	the Bottom	WPM142 (New)	—
1972-68	All	WPM142 (New)	—
FLEETWOOD			
1986-85	RWD, w/Delay and w/1 Red Wire From Under Relay	WPM168 (New)	—
	w/o Delay	WPM162 (New)	—
1984-75	w/Delay and w/1 Red Wire From Under Relay	WPM168 (New)	—
	w/o Delay	WPM162 (New)	—
1974	w/3 Terminals and Connector Located on Right Side	WPM162 (New)	—
1973	w/3 Terminals and Connector Located on Right Side	WPM162 (New)	—
	the Bottom	WPM142 (New)	—
1972-66	All	WPM142 (New)	—
SEVILLE			
1985-76	w/Delay and w/1 Red Wire From Under Relay	WPM168 (New)	—
CADILLAC SUVS			
ESCALADE			
2006-04	All	—	WPM1049

(New) denotes New Part Number

NEW WIPER MOTORS

YEAR	APPLICATION	FRONT	REAR
CADILLAC SUVS (Cont'd)			
ESCALADE (Cont'd)			
2003	All	WPM1046 (New)	WPM1049
2002	All	WPM1027	WPM1049
2000-99	w/Delay	WPM158	—
	w/o Delay	WPM169	—
ESCALADE ESV			
2006-04	All	—	WPM1049
2003	All	WPM1046 (New)	WPM1049
ESCALADE EXT			
2003	All	WPM1046 (New)	—
2002	All	WPM1027	—
CASE			
570LXT			
1999-95	All	WPM8004 (New)	—
580K			
1994-86	All	WPM8004 (New)	—
580L			
2006-95	All	WPM8004 (New)	—
580SK			
All	All	WPM8004 (New)	—
580SL			
All	All	WPM8004 (New)	—
590 TURBO			
All	All	WPM8004 (New)	—
590L			
2001-92	All	WPM8004 (New)	—
590SL			
All	All	WPM8004 (New)	—
90XT			
2006-97	All	WPM8004 (New)	—
95XT			
2006-97	All	WPM8004 (New)	—
CHEVROLET			
BEL AIR			
1975	w/Delay and w/1 Red Wire From Under Relay	WPM168 (New)	—
	w/o Delay	WPM162 (New)	—
1974	w/o Delay	WPM162 (New)	—
1973	w/3 Terminals and Connector Located on the Bottom	WPM142 (New)	—
	Right Side	WPM162 (New)	—
1972	All	WPM142 (New)	—
1971-68	All	WPM148 (New)	—
BISCAYNE			
1972	All	WPM142 (New)	—
1971-68	All	WPM148 (New)	—

VEHICLE APPLICATION DATA

(New) denotes New Part Number

NEW WIPER MOTORS

VEHICLE APPLICATION DATA

YEAR	APPLICATION	FRONT	REAR
CHEVROLET (Cont'd)			
CAMARO			
1983-79	w/Delay and w/1 Red Wire From Under Relay	WPM168 (New)	—
	w/o Delay	WPM162 (New)	—
1978-77	Concealed Wipers and w/Delay and w/1 Red Wire From Under Relay	WPM168 (New)	—
	Wipers, w/o Delay	WPM162 (New)	—
1978-68	Non-Concealed Wipers	WPM140 (New)	—
1976-74	Concealed Wipers	WPM162 (New)	—
1973	Concealed Wipers and 1st Production	WPM142 (New)	—
	Wipers, 2nd Production	WPM162 (New)	—
1972-68	Concealed Wipers	WPM142 (New)	—
1967	2-Speed Wipers w/3 Terminals	WPM120 (New)	—
	w/4 Terminals	WPM121 (New)	—
CAPRICE			
1990-75	w/Delay and w/1 Red Wire From Under Relay	WPM168 (New)	—
1990-74	w/o Delay	WPM162 (New)	—
1973	w/3 Terminals and Connector Located on the Bottom	WPM142 (New)	—
	Right Side	WPM162 (New)	—
1972	All	WPM142 (New)	—
1971-68	All	WPM148 (New)	—
CAVALIER			
2003	To 1/3/2003	WPM1015 (New)	—
2002-98	All	WPM1015 (New)	—
1997-95	All	WPM1010	—
1994-84	w/Delay	WPM191	—
	w/o Delay	WPM190 (New)	—
1983-82	All	WPM190 (New)	—
CELEBRITY			
1983-82	w/Delay and w/1 Red Wire From Under Relay	WPM168 (New)	—
	w/o Delay	WPM162 (New)	—
CHEVELLE			
1973	w/3 Terminals and Connector Located on the Bottom	WPM142 (New)	—
	Right Side	WPM162 (New)	—
1972-71	Concealed Wipers and w/o Demand Pump	WPM142 (New)	—
1972-69	Non-Concealed Wipers	WPM140 (New)	—
1970-69	Concealed Wipers	WPM142 (New)	—
1968	2-Speed Wipers	WPM140 (New)	—
1967	2-Speed Wipers w/3 Terminals	WPM120 (New)	—
	w/4 Terminals	WPM121 (New)	—
1966-64	1 Speed Wipers	WPM119 (New)	—
CHEVETTE			
1987-76	All	WPM140 (New)	—
CHEVY II			
1968	All	WPM140 (New)	—
1967-63	1 Speed Wipers	WPM119 (New)	—
	2-Speed Wipers w/3 Terminals	WPM120 (New)	—
	w/4 Terminals	WPM121 (New)	—
CLASSIC			
2005-04	All	WPM1014	—
COBALT			
2010-05	All	WPM1059 (New)	—

(New) denotes New Part Number

NEW WIPER MOTORS

YEAR	APPLICATION	FRONT	REAR
CHEVROLET (Cont'd)			
CORVAIR			
1969-63	1 Speed Wipers	WPM119 (New)	—
	2-Speed Wipers w/3 Terminals	WPM120 (New)	—
	w/4 Terminals	WPM121 (New)	—
CORVETTE			
2004-97	All	WPM1019 (New)	—
1982-74	All	WPM162 (New)	—
1973	w/3 Terminals and Connector Located on the Bottom	WPM142 (New)	—
	Right Side	WPM162 (New)	—
IMPALA			
2005-00	All	WPM1012	—
1985-75	w/Delay and w/1 Red Wire From Under Relay	WPM168 (New)	—
	w/o Delay	WPM162 (New)	—
1974	w/3 Terminals and Connector Located on Right Side	WPM162 (New)	—
1973	w/3 Terminals and Connector Located on Right Side	WPM162 (New)	—
	the Bottom	WPM142 (New)	—
1972	All	WPM142 (New)	—
1971-68	All	WPM148 (New)	—
MALIBU			
2003-97	All	WPM1014	—
1983-75	w/Delay and w/1 Red Wire From Under Relay	WPM168 (New)	—
	w/o Delay	WPM162 (New)	—
1974	w/3 Terminals and Connector Located on Right Side	WPM162 (New)	—
1973	w/3 Terminals and Connector Located on Right Side	WPM162 (New)	—
	the Bottom	WPM142 (New)	—
1967	2-Speed Wipers w/3 Terminals	WPM120 (New)	—
	w/4 Terminals	WPM121 (New)	—
1966-64	1 Speed Wipers	WPM119 (New)	—
MONTE CARLO			
2005-00	All	WPM1012	—
1983-75	w/Delay and w/1 Red Wire From Under Relay	WPM168 (New)	—
1983-74	w/o Delay	WPM162 (New)	—
1973	w/3 Terminals and Connector Located on Right Side	WPM162 (New)	—
	the Bottom	WPM142 (New)	—
1972	Concealed Wipers	WPM142 (New)	—
	Non-Concealed Wipers	WPM140 (New)	—
1971	Concealed Wipers and w/o Demand Pump	WPM142 (New)	—
	Non-Concealed Wipers	WPM140 (New)	—
1970	Concealed Wipers	WPM142 (New)	—
	Non-Concealed Wipers	WPM140 (New)	—
MONZA			
1980-75	All	WPM140 (New)	—
NOVA			
1979-68	All	WPM140 (New)	—
1967-63	1 Speed Wipers	WPM119 (New)	—
	2-Speed Wipers w/3 Terminals	WPM120 (New)	—
	w/4 Terminals	WPM121 (New)	—
VEGA			
1977-71	All	WPM140 (New)	—

(New) denotes New Part Number

VEHICLE APPLICATION DATA

NEW WIPER MOTORS

VEHICLE APPLICATION DATA

YEAR	APPLICATION	FRONT	REAR
CHEVROLET SUVS / TRUCKS / VANS			
ASTRO			
2005-94	All	WPM1003	—
1993-91	All	WPM191	—
1990-85	w/Delay	WPM191	—
	w/o Delay	WPM190 (New)	—
AVALANCHE 1500			
2003	All	WPM1046 (New)	—
2002	All	WPM1027	—
AVALANCHE 2500			
2003	All	WPM1046 (New)	—
2002	All	WPM1027	—
BLAZER			
2005	All	—	WPM1005
2004-98	All	WPM1030	WPM1005
1997-95	All	WPM1004	WPM1005
1994-92	w/Delay	WPM158	—
	w/o Delay	WPM169	—
1991-87	All	WPM182	—
1972-69	2-Speed w/3 Terminal	WPM154 (New)	—
	w/4 Terminal	WPM155 (New)	—
C10			
1986-85	All	WPM182	—
1984-78	All	WPM180	—
C10 PICKUP			
1972-63	2-Speed w/3 Terminal	WPM154 (New)	—
	w/4 Terminal	WPM155 (New)	—
1968-63	1 Speed Wipers	WPM119 (New)	—
C10 SUBURBAN			
1986-85	All	WPM182	—
1984-78	All	WPM180	—
1972-68	2-Speed w/3 Terminal	WPM154 (New)	—
	w/4 Terminal	WPM155 (New)	—
1968	1 Speed Wipers	WPM119 (New)	—
C1500			
1999-91	w/Delay	WPM158	—
	w/o Delay	WPM169	—
C1500 SUBURBAN			
1999-92	w/Delay	WPM158	—
	w/o Delay	WPM169	—
C20			
1986-85	All	WPM182	—
1984-78	All	WPM180	—
C20 PICKUP			
1972-63	2-Speed w/3 Terminal	WPM154 (New)	—
	w/4 Terminal	WPM155 (New)	—
1968-63	1 Speed Wipers	WPM119 (New)	—
C20 SUBURBAN			
1986-85	All	WPM182	—
1984-78	All	WPM180	—

(New) denotes New Part Number

NEW WIPER MOTORS

YEAR	APPLICATION	FRONT	REAR
CHEVROLET SUVS / TRUCKS / VANS (Cont'd)			
C20 SUBURBAN (Cont'd)			
1972-68	2-Speed w/3 Terminal	WPM154 (New)	—
	w/4 Terminal	WPM155 (New)	—
1968	1 Speed Wipers	WPM119 (New)	—
C2500			
2000-91	w/Delay	WPM158	—
	w/o Delay	WPM169	—
C2500 SUBURBAN			
1999-92	w/Delay	WPM158	—
	w/o Delay	WPM169	—
C30			
1986-85	All	WPM182	—
1984-78	All	WPM180	—
C30 PICKUP			
1972-63	2-Speed w/3 Terminal	WPM154 (New)	—
	w/4 Terminal	WPM155 (New)	—
1968-63	1 Speed Wipers	WPM119 (New)	—
C3500			
2002-91	w/Delay	WPM158	—
2000-91	w/o Delay	WPM169	—
C3500HD			
2002-01	w/Delay	WPM158	—
EL CAMINO			
1983-75	w/Delay and w/1 Red Wire From Under Relay	WPM168 (New)	—
	w/o Delay	WPM162 (New)	—
1974	w/3 Terminals and Connector Located on Right Side	WPM162 (New)	—
1973	w/3 Terminals and Connector Located on Right Side	WPM162 (New)	—
	the Bottom	WPM142 (New)	—
1972	Concealed Wipers	WPM142 (New)	—
	Non-Concealed Wipers	WPM140 (New)	—
1971	Concealed Wipers and w/o Demand Pump	WPM142 (New)	—
	Non-Concealed Wipers	WPM140 (New)	—
1970-69	Concealed Wipers	WPM142 (New)	—
	Non-Concealed Wipers	WPM140 (New)	—
1968	2-Speed Wipers	WPM140 (New)	—
1967	2-Speed Wipers w/3 Terminals	WPM120 (New)	—
	w/4 Terminals	WPM121 (New)	—
1966-64	1 Speed Wipers	WPM119 (New)	—
EXPRESS 1500			
2002-96	All	WPM1013	—
EXPRESS 2500			
2002-96	All	WPM1013	—
EXPRESS 3500			
2002-96	All	WPM1013	—
G10			
1991-83	All	WPM182	—
1982-78	All	WPM180	—

(New) denotes New Part Number

VEHICLE APPLICATION DATA

NEW WIPER MOTORS

VEHICLE APPLICATION DATA

YEAR	APPLICATION	FRONT	REAR
CHEVROLET SUVS / TRUCKS / VANS (Cont'd)			
G10 VAN			
1969-64	1 Speed Wipers	WPM119 (New)	—
	2-Speed w/3 Terminal	WPM154 (New)	—
	w/4 Terminal	WPM155 (New)	—
G20			
1991-83	All	WPM182	—
1982-78	All	WPM180	—
G20 VAN			
1969-67	1 Speed Wipers	WPM119 (New)	—
	2-Speed w/3 Terminal	WPM154 (New)	—
	w/4 Terminal	WPM155 (New)	—
G30			
1991-83	All	WPM182	—
1982-78	All	WPM180	—
K10			
1986-85	All	WPM182	—
1984-78	All	WPM180	—
K10 PICKUP			
1972-63	2-Speed w/3 Terminal	WPM154 (New)	—
	w/4 Terminal	WPM155 (New)	—
1968-63	1 Speed Wipers	WPM119 (New)	—
K10 SUBURBAN			
1986-85	All	WPM182	—
1984-78	All	WPM180	—
1972-68	2-Speed w/3 Terminal	WPM154 (New)	—
	w/4 Terminal	WPM155 (New)	—
1968	1 Speed Wipers	WPM119 (New)	—
K1500			
1999-91	w/Delay	WPM158	—
	w/o Delay	WPM169	—
K1500 SUBURBAN			
1999-92	w/Delay	WPM158	—
	w/o Delay	WPM169	—
K20			
1986-85	All	WPM182	—
1984-78	All	WPM180	—
K20 PICKUP			
1972-63	2-Speed w/3 Terminal	WPM154 (New)	—
	w/4 Terminal	WPM155 (New)	—
1968-63	1 Speed Wipers	WPM119 (New)	—
K20 SUBURBAN			
1986-85	All	WPM182	—
1984-78	All	WPM180	—
1972-68	2-Speed w/3 Terminal	WPM154 (New)	—
	w/4 Terminal	WPM155 (New)	—
1968	1 Speed Wipers	WPM119 (New)	—
K2500			
2000-91	w/Delay	WPM158	—

(New) denotes New Part Number

NEW WIPER MOTORS

YEAR	APPLICATION	FRONT	REAR
CHEVROLET SUVS / TRUCKS / VANS (Cont'd)			
K2500 (Cont'd)			
2000-91 (Cont'd)			
	w/o Delay	WPM169	—
K2500 SUBURBAN			
1999-92	w/Delay	WPM158	—
	w/o Delay	WPM169	—
K30			
1986-85	All	WPM182	—
1984-78	All	WPM180	—
K30 PICKUP			
1972-68	2-Speed w/3 Terminal	WPM154 (New)	—
	w/4 Terminal	WPM155 (New)	—
1968	1 Speed Wipers	WPM119 (New)	—
K3500			
2000-91	w/Delay	WPM158	—
	w/o Delay	WPM169	—
K5 BLAZER			
1986-85	All	WPM182	—
1984-78	All	WPM180	—
LUMINA APV			
1996-90	All	WPM192	—
P10			
1980-75	2-Speed w/3 Terminal	WPM154 (New)	—
	w/4 Terminal	WPM155 (New)	—
P10 SERIES			
1966-63	1 Speed Wipers	WPM119 (New)	—
	2-Speed w/3 Terminal	WPM154 (New)	—
	w/4 Terminal	WPM155 (New)	—
P10 VAN			
1974-67	2-Speed w/3 Terminal	WPM154 (New)	—
	w/4 Terminal	WPM155 (New)	—
1968-67	1 Speed Wipers	WPM119 (New)	—
P20			
1988-75	2-Speed w/3 Terminal	WPM154 (New)	—
	w/4 Terminal	WPM155 (New)	—
P20 SERIES			
1967-63	1 Speed Wipers	WPM119 (New)	—
	2-Speed w/3 Terminal	WPM154 (New)	—
	w/4 Terminal	WPM155 (New)	—
P20 VAN			
1974-68	2-Speed w/3 Terminal	WPM154 (New)	—
	w/4 Terminal	WPM155 (New)	—
1968	1 Speed Wipers	WPM119 (New)	—
P30			
1993-91	w/Delay	WPM158	—
	w/o Delay	WPM169	—
1991-75	2-Speed w/3 Terminal	WPM154 (New)	—

(New) denotes New Part Number

VEHICLE APPLICATION DATA

NEW WIPER MOTORS

VEHICLE APPLICATION DATA

YEAR	APPLICATION	FRONT	REAR
CHEVROLET SUVS / TRUCKS / VANS (Cont'd)			
P30 (Cont'd)			
1991-75 (Cont'd)			
	w/4 Terminal	WPM155 (New)	—
P30 SERIES			
1967-63	1 Speed Wipers	WPM119 (New)	—
	2-Speed w/3 Terminal	WPM154 (New)	—
	w/4 Terminal	WPM155 (New)	—
P30 VAN			
1974-68	2-Speed w/3 Terminal	WPM154 (New)	—
	w/4 Terminal	WPM155 (New)	—
1968	1 Speed Wipers	WPM119 (New)	—
R10			
1987	All	WPM182	—
R10 SUBURBAN			
1988-87	All	WPM182	—
R1500 SUBURBAN			
1991-89	All	WPM182	—
R20			
1988-87	All	WPM182	—
R20 SUBURBAN			
1988-87	All	WPM182	—
R2500			
1989	All	WPM182	—
R2500 SUBURBAN			
1991-89	All	WPM182	—
R30			
1988-87	All	WPM182	—
R3500			
1991-89	All	WPM182	—
S10 BLAZER			
1994-85	w/Delay	WPM191	—
	w/o Delay	WPM190 (New)	—
1984-83	All	WPM190 (New)	—
S10 PICKUP			
2004-98	All	WPM1030	—
1997-94	All	WPM1004	—
1993-85	w/Delay	WPM191	—
	w/o Delay	WPM190 (New)	—
1984-82	All	WPM190 (New)	—
SILVERADO 1500			
2003	All	WPM1046 (New)	—
2002-99	All	WPM1027	—
SILVERADO 1500 HD			
2003	All	WPM1046 (New)	—
2002-01	All	WPM1027	—

(New) denotes New Part Number

NEW WIPER MOTORS

YEAR	APPLICATION	FRONT	REAR
CHEVROLET SUVS / TRUCKS / VANS (Cont'd)			
SILVERADO 2500			
2003	All	WPM1046 (New)	—
2002-99	All	WPM1027	—
SILVERADO 2500 HD			
2003	All	WPM1046 (New)	—
2002-01	All	WPM1027	—
SILVERADO 3500			
2003	All	WPM1046 (New)	—
2002-01	All	WPM1027	—
SUBURBAN			
1967-63	1 Speed Wipers	WPM119 (New)	—
	2-Speed w/3 Terminal	WPM154 (New)	—
	w/4 Terminal	WPM155 (New)	—
SUBURBAN 1500			
2006-04	All	—	WPM1049
2003	All	WPM1046 (New)	WPM1049
2002-00	All	WPM1027	—
SUBURBAN 2500			
2006-04	All	—	WPM1049
2003	All	WPM1046 (New)	WPM1049
2002-00	All	WPM1027	—
TAHOE			
2006-04	All	—	WPM1049
2003	All	WPM1046 (New)	WPM1049
2002-01	All	WPM1027	—
2000	Base, LS, LT	WPM1027	—
	Limited, Z71, w/Delay	WPM158	—
	w/o Delay	WPM169	—
1999-95	w/Delay	WPM158	—
	w/o Delay	WPM169	—
TRAILBLAZER			
2009-04	All	—	WPM1045 (New)
UPLANDER			
2009-05	All	—	WPM1058
V10			
1987	All	WPM182	—
V10 SUBURBAN			
1988-87	All	WPM182	—
V1500 SUBURBAN			
1991-89	All	WPM182	—
V20			
1987	All	WPM182	—
V20 SUBURBAN			
1988-87	All	WPM182	—
V2500 SUBURBAN			
1991-89	All	WPM182	—

(New) denotes New Part Number

VEHICLE APPLICATION DATA

NEW WIPER MOTORS

VEHICLE APPLICATION DATA

YEAR	APPLICATION	FRONT	REAR
CHEVROLET SUVS / TRUCKS / VANS (Cont'd)			
V30			
1988-87	All	WPM182	—
V3500			
1991-89	All	WPM182	—
VENTURE			
2005-97	All	WPM1025	WPM1026
CHEVROLET MEDIUM DUTY TRUCKS			
B60			
1982-80	2-Speed w/3 Terminal	WPM154 (New)	—
	w/4 Terminal	WPM155 (New)	—
C4500 KODIAK			
2009-03	All	WPM1013	—
C50			
1987-83	All	WPM180	—
C5500 KODIAK			
2009-03	All	WPM1013	—
C60			
1987-83	All	WPM180	—
C60 KODIAK			
1996-90	w/Delay	WPM158	—
	w/o Delay	WPM169	—
C6500 KODIAK			
2009-03	All	WPM1013	—
2002-97	w/Delay	WPM158	—
2001-97	w/o Delay	WPM169	—
C70			
1987-83	All	WPM180	—
C70 KODIAK			
1996-90	w/Delay	WPM158	—
	w/o Delay	WPM169	—
C7500 KODIAK			
2009-03	All	WPM1013	—
2002-97	w/Delay	WPM158	—
2001-97	w/o Delay	WPM169	—
T40			
1968-63	2-Speed Wipers w/3 Terminals	WPM120 (New)	—
	w/4 Terminals	WPM121 (New)	—
1967-63	1 Speed Wipers	WPM119 (New)	—
T6			
1976-75	All	WPM162 (New)	—
	w/Delay	WPM168 (New)	—

(New) denotes New Part Number

NEW WIPER MOTORS

YEAR	APPLICATION	FRONT	REAR
CHRYSLER			
CONCORDE			
1997-93	All	WPM440 (New)	—
DAYTONA			
1993-90	All	WPM388	—
1989	2 3/8" Dia. Motor Housing	WPM388	—
DYNASTY			
1993-90	All	WPM387	—
1989	From 01/04/89	WPM387	—
FIFTH AVENUE			
1989	2-3/8" Dia. Motor Housing	WPM388	—
IMPERIAL			
1993-90	All	WPM387	—
INTREPID			
1997-93	All	WPM440 (New)	—
LEBARON			
1995	All	WPM388	—
1994-90	2 Door	WPM388	—
	4 Door	WPM387	—
1989	2 Door, 2-3/8" Dia. Motor Housing	WPM388	—
	4 Door, From 10/05/88	WPM387	—
LHS			
1997-94	All	WPM440 (New)	—
NEW YORKER			
1996-94	All	WPM440 (New)	—
1993-90	All	WPM387	—
1989	From 01/04/89	WPM387	—
PT CRUISER			
2010-04	All	—	WPM3028
2003-01	All	—	WPM3018
TC MASERATI			
1991-90	All	WPM388	—
1989	2-3/8" Dia. Motor Housing	WPM388	—
CHRYSLER VANS			
GRAND VOYAGER			
2002-01	All	WPM3016L (New)	WPM3018
2000	All	WPM3001	—
TOWN & COUNTRY			
2007-04	All	—	WPM3028
2003-01	All	WPM3016L (New)	WPM3018
2000-96	All	WPM3001	—
1995-90	All	WPM388	—
VOYAGER			
2007-06	All	—	WPM3028
2003-01	All	WPM3016L (New)	WPM3018
2000	All	WPM3001	—

VEHICLE APPLICATION DATA

(New) denotes New Part Number

NEW WIPER MOTORS

VEHICLE APPLICATION DATA

YEAR	APPLICATION	FRONT	REAR
DODGE			
ARIES			
1989	2-3/8" Dia. Motor Housing	WPM388	—
DAYTONA			
1993-90	All	WPM388	—
1989	2-3/8" Dia. Motor Housing	WPM388	—
DIPLOMAT			
1989	2-3/8" Dia. Motor Housing	WPM388	—
DYNASTY			
1993-90	All	WPM387	—
1989	From 01/04/89	WPM387	—
INTREPID			
1997-93	All	WPM440 (New)	—
LANCER			
1989	From 10/06/88	WPM387	—
MONACO			
1992-91	All	WPM387	—
OMNI			
1990	All	WPM388	—
1989	2-3/8" Dia. Motor Housing	WPM388	—
SHADOW			
1994-90	All	WPM387	—
1989	From 10/04/88	WPM387	—
SPIRIT			
1995-89	All	WPM387	—
VERNA (Mexico)			
2004	All	WPM4403 (New)	—
DODGE SUVS / TRUCKS / VANS			
B150			
1994-90	All	WPM388	—
1989	From 10/04/88	WPM388	—
B1500			
1998	All	WPM3009	—
1997-95	All	WPM388	—
B250			
1994-90	All	WPM388	—
1989	From 10/04/88	WPM388	—
B2500			
1998	All	WPM3009	—
1997-95	All	WPM388	—
B350			
1994-90	All	WPM388	—
1989	From 10/04/88	WPM388	—
B3500			
1998	All	WPM3009	—

(New) denotes New Part Number

NEW WIPER MOTORS

YEAR	APPLICATION	FRONT	REAR
DODGE SUVS / TRUCKS / VANS (Cont'd)			
B3500 (Cont'd)			
1997-95	All	WPM388	—
CARAVAN			
2007-04	All	—	WPM3028
2003-01	All	WPM3016L (New)	WPM3018
2000-96	All	WPM3001	—
1995-90	All	WPM388	—
1989	2-3/8" Dia. Motor Housing	WPM388	—
D100			
1989	From 10/04/88	WPM388	—
D150			
1993-90	All	WPM388	—
1989	From 10/04/88	WPM388	—
D250			
1993-90	All	WPM388	—
1989	From 10/04/88	WPM388	—
D350			
1993-90	All	WPM388	—
1989	From 10/04/88	WPM388	—
DAKOTA			
2010-97	All	WPM443 (New)	—
1996-90	All	WPM387	—
1989	From 10/06/88	WPM387	—
DURANGO			
2003-98	All	WPM443 (New)	—
GRAND CARAVAN			
2007-04	All	—	WPM3028
2003-01	All	WPM3016L (New)	WPM3018
2000-96	All	WPM3001	—
1995-90	All	WPM388	—
1989	2-3/8" Dia. Motor Housing	WPM388	—
RAM 1500			
2009-03	All	WPM3025 (New)	—
2002-00	All	WPM3024	—
1999-97	All	WPM3000	—
1996-94	All	WPM387	—
RAM 1500 VAN			
2003-98	All	WPM3009	—
RAM 2500			
2010-03	All	WPM3025 (New)	—
2002-00	All	WPM3024	—
1999-97	All	WPM3000	—
1996-94	All	WPM387	—
RAM 2500 VAN			
2003-98	All	WPM3009	—
RAM 3500			
2010-03	All	WPM3025 (New)	—

(New) denotes New Part Number

VEHICLE APPLICATION DATA

NEW WIPER MOTORS

VEHICLE APPLICATION DATA

YEAR	APPLICATION	FRONT	REAR
DODGE SUVS / TRUCKS / VANS (Cont'd)			
RAM 3500 (Cont'd)			
2002-00	All	WPM3024	—
1999-97	All	WPM3000	—
1996-94	All	WPM387	—
RAM 3500 VAN			
2003-98	All	WPM3009	—
RAM 4000			
2002-00	All	WPM3024	—
1999-97	All	WPM3000	—
1996-95	All	WPM387	—
RAM 4500			
2010-08	All	WPM3025 (New)	—
RAM 5500			
2010-08	All	WPM3025 (New)	—
RAMCHARGER			
1993-90	All	WPM388	—
1989	From 10/04/88	WPM388	—
W100			
1989	From 10/04/88	WPM388	—
W150			
1993-90	All	WPM388	—
1989	From 10/04/88	WPM388	—
W250			
1993-90	All	WPM388	—
1989	From 10/04/88	WPM388	—
W350			
1993-90	All	WPM388	—
1989	From 10/04/88	WPM388	—
EAGLE			
PREMIER			
1992-91	All	WPM387	—
VISION			
1997-93	All	WPM440 (New)	—
FORD			
CONTOUR			
2000-98	5 Terminal, 1 Plug Motor	WPM2010	—
1997-95	5 Terminal, 1 Plug Motor	WPM2010	—
	6 Terminal, 1 Plug Motor	WPM2009	—
COUGAR			
1996-91	5 Terminal, 1 Plug Motor	WPM2013	—
	6 Terminal, 1 Plug Motor	WPM2003 (New)	—
CROWN VICTORIA			
2006-03	All	WPM2048 (New)	—
2002-95	All	WPM2005	—

(New) denotes New Part Number

NEW WIPER MOTORS

YEAR	APPLICATION	FRONT	REAR
FORD (Cont'd)			
CROWN VICTORIA (Cont'd)			
1994-92	All	WPM269	—
ESCORT			
2003-97	All	WPM2013	—
1996-95	5 Terminal, 1 Plug Motor	WPM2013	—
	6 Terminal, 1 Plug Motor	WPM2003 (New)	—
1994-91	2 Plug Motor	WPM297	—
	5 Terminal, 1 Plug Motor	WPM2013	—
	6 Terminal, 1 Plug Motor	WPM2003 (New)	—
1990-81	All	WPM265	—
EXP			
1988-82	All	WPM265	—
FALCON			
1970-66	2-Speed Wipers	WPM265	—
FIVE HUNDRED			
2007-05	w/o Speed Sensitive Intermittent Wiper	WPM2036 (New)	—
FOCUS			
2007-00	All	WPM2038	—
GRANADA			
1982-75	All	WPM265	—
GRAND MARQUIS (Mexico)			
2004-03	All	WPM2048 (New)	—
2002-95	All	WPM2005	—
LTD			
1986-83	Mid Size	WPM265	—
MAVERICK			
1977-70	2-Speed Wipers	WPM265	—
MUSTANG			
2007-05	w/o Speed Sensitive Intermittent Wiper	WPM2036 (New)	—
1993-87	1 Plug Motor	WPM2003 (New)	—
	2 Plug Motor	WPM297	—
1986-69	All	WPM265	—
1968-67	2-Speed Wipers	WPM265	—
MYSTIQUE (Mexico)			
2000-98	5 Terminal, 1 Plug Motor	WPM2010	—
1997-95	5 Terminal, 1 Plug Motor	WPM2010	—
	6 Terminal, 1 Plug Motor	WPM2009	—
SABLE (Mexico)			
2000-96	5 Terminal, 1 Plug Motor	WPM2010	—
1995	All	WPM2001	—
TAURUS			
2008	w/o Speed Sensitive Intermittent Wiper	WPM2036 (New)	—
2007-06	5 Terminal, 1 Plug Motor	WPM2010	—
2005-96	5 Terminal, 1 Plug Motor	WPM2010	—
1995-94	All	WPM2001	—
1993-87	1 Plug Motor	WPM2001	—
	2 Plug Motor	WPM298	—

(New) denotes New Part Number

VEHICLE APPLICATION DATA

NEW WIPER MOTORS

VEHICLE APPLICATION DATA

YEAR	APPLICATION	FRONT	REAR
FORD (Cont'd)			
TEMPO			
1994-86	All	WPM297	—
THUNDERBIRD			
2005-03	w/o Speed Sensitive Intermittent Wiper	WPM2036 (New)	—
2002	5 Terminal, 1 Plug Motor	WPM2010	—
1997-94	5 Terminal, 1 Plug Motor	WPM2013	—
	6 Terminal, 1 Plug Motor	WPM2003 (New)	—
1993-90	3 Terminal Plug	WPM267	—
	5 Terminal, 1 Plug Motor	WPM2013	—
	6 Terminal, 1 Plug Motor	WPM2003 (New)	—
1989	1 Plug Motor	WPM2003 (New)	—
	3 Terminal Plug	WPM267	—
TOPAZ (Mexico)			
1994-86	All	WPM297	—
TORINO			
1976-68	Non-Consaled Wipers	WPM265	—
FORD SUVS / TRUCKS / VANS			
BRONCO			
1996-87	All	WPM299	—
	1 Plug Motor	WPM2002 (New)	—
1977-66	2-Speed Wipers	WPM265	—
BRONCO II			
1990-84	All	WPM265	—
E-100 ECONOLINE			
1974-68	All	WPM265	—
E-150			
2014-05	All	WPM2048 (New)	—
2004-03	All	WPM2013	—
E-150 Club Wagon			
2005	All	WPM2048 (New)	—
E-150 CLUB WAGON			
2004-03	All	WPM2013	—
E-150 ECONOLINE			
2008-07	All	WPM2048 (New)	—
2002-97	All	WPM2013	—
1996-95	5 Terminal, 1 Plug Motor	WPM2013	—
	6 Terminal, 1 Plug Motor	WPM2003 (New)	—
1994-92	All	WPM297	—
E-150 ECONOLINE CLUB WAGON			
2002-97	All	WPM2013	—
1996-95	5 Terminal, 1 Plug Motor	WPM2013	—
1994-92	All	WPM297	—
E-200 ECONOLINE			
1974-68	All	WPM265	—
E-250			
2014-05	All	WPM2048 (New)	—

(New) denotes New Part Number

NEW WIPER MOTORS

YEAR	APPLICATION	FRONT	REAR
FORD SUVS / TRUCKS / VANS (Cont'd)			
E-250 (Cont'd)			
2004-03	All	WPM2013	—
E-250 ECONOLINE			
2002-97	All	WPM2013	—
1996-95	5 Terminal, 1 Plug Motor	WPM2013	—
	6 Terminal, 1 Plug Motor	WPM2003 (New)	—
1994-92	All	WPM297	—
E-250 SUPER DUTY			
2005	All	WPM2048 (New)	—
2004	All	WPM2013	—
E-300 ECONOLINE			
1974-68	All	WPM265	—
E-350			
2003	All	WPM2013	—
E-350 CLUB WAGON			
2005	All	WPM2048 (New)	—
2004-03	All	WPM2013	—
E-350 ECONOLINE			
2008-07	All	WPM2048 (New)	—
2002-97	All	WPM2013	—
1996-95	5 Terminal, 1 Plug Motor	WPM2013	—
	6 Terminal, 1 Plug Motor	WPM2003 (New)	—
1994-92	All	WPM297	—
E-350 ECONOLINE CLUB WAGON			
2002-97	All	WPM2013	—
1996-95	5 Terminal, 1 Plug Motor	WPM2013	—
1994-92	All	WPM297	—
E-350 SUPER DUTY			
2014-05	All	WPM2048 (New)	—
2004	All	WPM2013	—
E-450 ECONOLINE SUPER DUTY			
2001-00	All	WPM2013	—
E-450 ECONOLINE SUPER DUTY STRIPPED			
2002-00	All	WPM2013	—
E-450 SUPER DUTY			
2014-05	All	WPM2048 (New)	—
2004-03	All	WPM2013	—
E-450 SUPER DUTY STRIPPED CHASSIS			
2003	All	WPM2013	—
E-550 ECONOLINE SUPER DUTY			
2002	All	WPM2013	—
E-550 SUPER DUTY			
2003	All	WPM2013	—
ECONOLINE SUPER DUTY			
1999-97	All	WPM2013	—
1996	5 Terminal, 1 Plug Motor	WPM2013	—

(New) denotes New Part Number

VEHICLE APPLICATION DATA

NEW WIPER MOTORS

VEHICLE APPLICATION DATA

YEAR	APPLICATION	FRONT	REAR
FORD SUVs / TRUCKS / VANS (Cont'd)			
ECONOLINE SUPER DUTY (Cont'd)			
1996 (Cont'd)			
	6 Terminal, 1 Plug Motor	WPM2003 (New)	—
EDGE			
2009-07	w/o Speed Sensitive Intermittent Wiper	WPM2036 (New)	—
ESCAPE			
2007-01	Front 5 Terminal, 1 Plug Motor, Rear All	WPM2010	WPM2044
EXCURSION			
2005-02	w/o Speed Sensitive Intermittent Wiper	WPM2036 (New)	—
2001-00	5 Terminal, 1 Plug Motor	WPM2010	—
EXPEDITION			
2009-03	All	—	WPM2060 (New)
2006-03	w/o Speed Sensitive Intermittent Wiper	WPM2036 (New)	—
2002	Front 5 Terminal, 1 Plug Motor, Rear All	WPM2010	WPM2030
	12 Terminal Plug, w/o Speed Sensitive Intermittent Wiper, Rear All	WPM2036 (New)	WPM2030
2001-97	Front 5 Terminal, 1 Plug Motor, Rear All	WPM2010	WPM2030
EXPLORER			
2010-08	All	—	WPM2062
2007-06	w/o Speed Sensitive Intermittent Wiper	WPM2036 (New)	WPM2062
2005-04	w/o Speed Sensitive Intermittent Wiper	WPM2036 (New)	—
2003	Exc. Sport, w/o Speed Sensitive Intermittent Wiper	WPM2036 (New)	—
	Sport XLS, Sport XLT	WPM2013	—
2002	Exc. Sport, From 03/04/02, w/o Speed Sensitive Intermittent Wiper	WPM2036 (New)	—
	To 03/04/02, 5 Terminal, 1 Plug Motor	WPM2010	—
	Sport	WPM2013	WPM2030
2001-98	All	WPM2013	WPM2030
1997-95	5 Terminal, 1 Plug Motor	WPM2013	—
	6 Terminal, 1 Plug Motor	WPM2003 (New)	—
1994-91	All	WPM265	—
EXPLORER SPORT TRAC			
2007	w/o Speed Sensitive Intermittent Wiper	WPM2036 (New)	—
2005-03	All	WPM2048 (New)	—
2002-01	All	WPM2013	—
F SUPER DUTY			
1997	6 Terminal, 1 Plug Motor	WPM2002 (New)	—
	5 Terminal, 1 Plug Motor	WPM2037 (New)	—
1996-95	6 Terminal, 1 Plug Motor	WPM2002 (New)	—
	5 Terminal, 1 Plug Motor	WPM2037 (New)	—
	2 Plug Motor	WPM299	—
1994-90	1 Plug Motor	WPM2002 (New)	—
	2 Plug Motor	WPM299	—
1989-88	1 Plug Motor	WPM2002 (New)	—
F-150			
2007-05	w/o Speed Sensitive Intermittent Wiper	WPM2036 (New)	—
2004	From 08/02/04, w/o Speed Sensitive Intermittent Wiper	WPM2036 (New)	—
	To 08/02/04, 5 Terminal, 1 Plug Motor	WPM2010	—
2003-97	5 Terminal, 1 Plug Motor	WPM2010	—
1996-87	1 Plug Motor	WPM2002 (New)	—
	2 Plug Motor	WPM299	—

(New) denotes New Part Number

NEW WIPER MOTORS

YEAR	APPLICATION	FRONT	REAR
FORD SUVS / TRUCKS / VANS (Cont'd)			
F-250			
1999-98	Under 8500 Lbs. GVW, 5 Terminal, 1 Plug Motor	WPM2010	—
1997	Over 8500 Lbs. GVW, 6 Terminal, 1 Plug Motor	WPM2002 (New)	—
	Under 8500 Lbs. GVW, 5 Terminal, 1 Plug Motor	WPM2010	—
1996-87	1 Plug Motor	WPM2002 (New)	—
	2 Plug Motor	WPM299	—
F-250 Super Duty			
2007-02	w/o Speed Sensitive Intermittent Wiper	WPM2036 (New)	—
F-250 SUPER DUTY			
2001-99	5 Terminal, 1 Plug Motor	WPM2010	—
F-350			
1997	1 Plug Motor	WPM2002 (New)	—
1996-87	1 Plug Motor	WPM2002 (New)	—
	2 Plug Motor	WPM299	—
F-350 Super Duty			
2007-02	w/o Speed Sensitive Intermittent Wiper	WPM2036 (New)	—
F-350 SUPER DUTY			
2001-99	5 Terminal, 1 Plug Motor	WPM2010	—
F-450 Super Duty			
2007-02	w/o Speed Sensitive Intermittent Wiper	WPM2036 (New)	—
F-450 SUPER DUTY			
2001-99	5 Terminal, 1 Plug Motor	WPM2010	—
1997	1 Plug Motor	WPM2002 (New)	—
F-550 Super Duty			
2007-02	w/o Speed Sensitive Intermittent Wiper	WPM2036 (New)	—
F53			
2003-99	5 Terminal, 1 Plug Motor	WPM2010	—
1997-88	1 Plug Motor	WPM2002 (New)	—
F-550 SUPER DUTY			
2001-99	5 Terminal, 1 Plug Motor	WPM2010	—
F59			
1997-88	1 Plug Motor	WPM2002 (New)	—
FREESTYLE			
2007-05	w/o Speed Sensitive Intermittent Wiper	WPM2036 (New)	—
LOBO (Mexico)			
2007-04	w/o Speed Sensitive Intermittent Wiper	WPM2036 (New)	—
2003-01	5 Terminal, 1 Plug Motor	WPM2010	—
RANGER			
2007-98	All	WPM2013	—
1997-95	5 Terminal, 1 Plug Motor	WPM2013	—
	6 Terminal, 1 Plug Motor	WPM2003 (New)	—
1994-83	All	WPM265	—
WINDSTAR			
2003-02	All	WPM2034	—
2001-99	All	WPM2034	WPM2033
1998-97	All	WPM2034	—

VEHICLE APPLICATION DATA

(New) denotes New Part Number

NEW WIPER MOTORS

VEHICLE APPLICATION DATA

YEAR	APPLICATION	FRONT	REAR
FORD SUVS / TRUCKS / VANS (Cont'd)			
WINDSTAR (Cont'd)			
1996	All	WPM2011 (New)	—
1995	From 11/1994	WPM2011 (New)	—
FORD MEDIUM DUTY TRUCKS			
F600			
1994-90	All	WPM299	—
	1 Plug Motor	WPM2002 (New)	—
F650			
2007-00	5 Terminal, 1 Plug Motor	WPM2010	—
F700			
1998-97	5 Terminal, 1 Plug Motor	WPM2037 (New)	—
	6 Terminal, 1 Plug Motor	WPM2002 (New)	—
1996-95	6 Terminal, 1 Plug Motor	WPM2002 (New)	—
	5 Terminal, 1 Plug Motor	WPM2037 (New)	—
	2 Plug Motor	WPM299	—
1994-90	2 Plug Motor	WPM299	—
	6 Terminal, 1 Plug Motor	WPM2002 (New)	—
1989-87	2 Plug Motor	WPM299	—
F750			
2007-00	5 Terminal, 1 Plug Motor	WPM2010	—
F800			
1999-97	6 Terminal, 1 Plug Motor	WPM2002 (New)	—
	5 Terminal, 1 Plug Motor	WPM2037 (New)	—
1996-95	6 Terminal, 1 Plug Motor	WPM2002 (New)	—
	5 Terminal, 1 Plug Motor	WPM2037 (New)	—
	2 Plug Motor	WPM299	—
1994-90	6 Terminal, 1 Plug Motor	WPM2002 (New)	—
	2 Plug Motor	WPM299	—
1989-87	2 Plug Motor	WPM299	—
FT800			
1990	1 Plug Motor	WPM2002 (New)	—
GMC SUVS / TRUCKS / VANS			
1000 SERIES			
1965-63	1 Speed Wipers	WPM119 (New)	—
	2-Speed w/3 Terminal	WPM154 (New)	—
	w/4 Terminal	WPM155 (New)	—
1500 SERIES			
1965-63	1 Speed Wipers	WPM119 (New)	—
	2-Speed w/3 Terminal	WPM154 (New)	—
	w/4 Terminal	WPM155 (New)	—
2500 SERIES			
1965-63	1 Speed Wipers	WPM119 (New)	—
1963	2-Speed w/3 Terminal	WPM154 (New)	—
	w/4 Terminal	WPM155 (New)	—
C15			
1978	All	WPM180	—

(New) denotes New Part Number

NEW WIPER MOTORS

YEAR	APPLICATION	FRONT	REAR
GMC SUVS / TRUCKS / VANS (Cont'd)			
C15 SUBURBAN			
1978	All	WPM180	—
C15/C1500 PICKUP			
1972-66	2-Speed w/3 Terminal	WPM154 (New)	—
	w/4 Terminal	WPM155 (New)	—
1968-66	1 Speed Wipers	WPM119 (New)	—
C15/C1500 SUBURBAN			
1972-68	2-Speed w/3 Terminal	WPM154 (New)	—
	w/4 Terminal	WPM155 (New)	—
1968	1 Speed Wipers	WPM119 (New)	—
C1500			
1999-91	w/Delay	WPM158	—
	w/o Delay	WPM169	—
1986-85	All	WPM182	—
1984-79	All	WPM180	—
C1500 SUBURBAN			
1999-92	w/Delay	WPM158	—
	w/o Delay	WPM169	—
1986-85	All	WPM182	—
1984-79	All	WPM180	—
C25			
1978	All	WPM180	—
C25 SUBURBAN			
1978	All	WPM180	—
C25/C2500 PICKUP			
1972-66	2-Speed w/3 Terminal	WPM154 (New)	—
	w/4 Terminal	WPM155 (New)	—
1968-66	1 Speed Wipers	WPM119 (New)	—
C25/C2500 SUBURBAN			
1972-68	2-Speed w/3 Terminal	WPM154 (New)	—
	w/4 Terminal	WPM155 (New)	—
1968	1 Speed Wipers	WPM119 (New)	—
C2500			
2000-91	w/Delay	WPM158	—
	w/o Delay	WPM169	—
1986-85	All	WPM182	—
1984-79	All	WPM180	—
C2500 SUBURBAN			
1999-92	w/Delay	WPM158	—
	w/o Delay	WPM169	—
1986-85	All	WPM182	—
1984-79	All	WPM180	—
C35			
1978	All	WPM180	—
C35/C3500 PICKUP			
1972-68	2-Speed w/3 Terminal	WPM154 (New)	—
	w/4 Terminal	WPM155 (New)	—
1968-67	1 Speed Wipers	WPM119 (New)	—

(New) denotes New Part Number

VEHICLE APPLICATION DATA

NEW WIPER MOTORS

VEHICLE APPLICATION DATA

YEAR	APPLICATION	FRONT	REAR
GMC SUVS / TRUCKS / VANS (Cont'd)			
C3500			
2002-91	w/Delay	WPM158	—
2000-91	w/o Delay	WPM169	—
1986-85	All	WPM182	—
1984-79	All	WPM180	—
C3500HD			
2001	w/Delay	WPM158	—
CABALLERO			
1983-78	w/Delay and w/1 Red Wire From Under Relay	WPM168 (New)	—
	w/o Delay	WPM162 (New)	—
ENVOY			
2009-04	w/5 Terminals	—	WPM1045 (New)
G1000 SERIES			
1966-64	1 Speed Wipers	WPM119 (New)	—
	2-Speed w/3 Terminal	WPM154 (New)	—
	w/4 Terminal	WPM155 (New)	—
G15			
1978	All	WPM180	—
G15/G1500 VAN			
1969-67	1 Speed Wipers	WPM119 (New)	—
	2-Speed w/3 Terminal	WPM154 (New)	—
	w/4 Terminal	WPM155 (New)	—
G1500			
1991-83	All	WPM182	—
1982-79	All	WPM180	—
G25			
1978	All	WPM180	—
G25/G2500 VAN			
1969-67	1 Speed Wipers	WPM119 (New)	—
	2-Speed w/3 Terminal	WPM154 (New)	—
	w/4 Terminal	WPM155 (New)	—
G2500			
1991-83	All	WPM182	—
1982-79	All	WPM180	—
G35			
1978	All	WPM180	—
G35/G3500 VAN			
1967	1 Speed Wipers	WPM119 (New)	—
	2-Speed w/3 Terminal	WPM154 (New)	—
	w/4 Terminal	WPM155 (New)	—
G3500			
1991-83	All	WPM182	—
1982-79	All	WPM180	—
JIMMY			
2004-02	Canada	WPM1030	—
2001-98	All	WPM1030	WPM1005
1997-95	All	WPM1004	WPM1005

(New) denotes New Part Number

NEW WIPER MOTORS

YEAR	APPLICATION	FRONT	REAR
GMC SUVS / TRUCKS / VANS (Cont'd)			
JIMMY (Cont'd)			
1994-92	w/Delay	WPM191	—
1991-85	All	WPM182	—
1984-78	All	WPM180	—
1972-70	2-Speed w/3 Terminal	WPM154 (New)	—
	w/4 Terminal	WPM155 (New)	—
K15			
1978	All	WPM180	—
K15 SUBURBAN			
1978	All	WPM180	—
K15/K1500 PICKUP			
1972-66	2-Speed w/3 Terminal	WPM154 (New)	—
	w/4 Terminal	WPM155 (New)	—
1968-66	1 Speed Wipers	WPM119 (New)	—
K15/K1500 SUBURBAN			
1972-68	2-Speed w/3 Terminal	WPM154 (New)	—
	w/4 Terminal	WPM155 (New)	—
1968	1 Speed Wipers	WPM119 (New)	—
K1500			
1999-91	w/Delay	WPM158	—
	w/o Delay	WPM169	—
1986-85	All	WPM182	—
1984-79	All	WPM180	—
K1500 SUBURBAN			
1999-92	w/Delay	WPM158	—
	w/o Delay	WPM169	—
1986-85	All	WPM182	—
1984-79	All	WPM180	—
K25			
1978	All	WPM180	—
K25 SUBURBAN			
1978	All	WPM180	—
K25/K2500 PICKUP			
1972-67	2-Speed w/3 Terminal	WPM154 (New)	—
	w/4 Terminal	WPM155 (New)	—
1968-67	1 Speed Wipers	WPM119 (New)	—
K25/K2500 SUBURBAN			
1972-68	2-Speed w/3 Terminal	WPM154 (New)	—
	w/4 Terminal	WPM155 (New)	—
1968	1 Speed Wipers	WPM119 (New)	—
K2500			
2000-91	w/Delay	WPM158	—
	w/o Delay	WPM169	—
1986-85	All	WPM182	—
1984-79	All	WPM180	—
K2500 SUBURBAN			
1999-92	w/Delay	WPM158	—
	w/o Delay	WPM169	—

(New) denotes New Part Number

VEHICLE APPLICATION DATA

NEW WIPER MOTORS

VEHICLE APPLICATION DATA

YEAR	APPLICATION	FRONT	REAR
GMC SUVS / TRUCKS / VANS (Cont'd)			
K2500 SUBURBAN (Cont'd)			
1986-85	All	WPM182	—
1984-79	All	WPM180	—
K35			
1978	All	WPM180	—
K35/K3500 PICKUP			
1972-67	2-Speed w/3 Terminal	WPM154 (New)	—
	w/4 Terminal	WPM155 (New)	—
1968-67	1 Speed Wipers	WPM119 (New)	—
K3500			
2000-91	w/Delay	WPM158	—
	w/o Delay	WPM169	—
1986-85	All	WPM182	—
1984-79	All	WPM180	—
P15			
1978-75	2-Speed w/3 Terminal	WPM154 (New)	—
	w/4 Terminal	WPM155 (New)	—
P15/P1500 VAN			
1974-67	2-Speed w/3 Terminal	WPM154 (New)	—
	w/4 Terminal	WPM155 (New)	—
1968-67	1 Speed Wipers	WPM119 (New)	—
P25			
1978-75	2-Speed w/3 Terminal	WPM154 (New)	—
	w/4 Terminal	WPM155 (New)	—
P25/P2500 VAN			
1974-66	2-Speed w/3 Terminal	WPM154 (New)	—
	w/4 Terminal	WPM155 (New)	—
1968-66	1 Speed Wipers	WPM119 (New)	—
P2500			
1989-79	2-Speed w/3 Terminal	WPM154 (New)	—
	w/4 Terminal	WPM155 (New)	—
P35			
1978-75	2-Speed w/3 Terminal	WPM154 (New)	—
	w/4 Terminal	WPM155 (New)	—
P35/P3500 VAN			
1974-66	2-Speed w/3 Terminal	WPM154 (New)	—
	w/4 Terminal	WPM155 (New)	—
1968-66	1 Speed Wipers	WPM119 (New)	—
P3500			
1993-91	w/Delay	WPM158	—
	w/o Delay	WPM169	—
1991-79	2-Speed w/3 Terminal	WPM154 (New)	—
	w/4 Terminal	WPM155 (New)	—
PB1000 SERIES			
1965-63	1 Speed Wipers	WPM119 (New)	—
	2-Speed w/3 Terminal	WPM154 (New)	—
	w/4 Terminal	WPM155 (New)	—

(New) denotes New Part Number

NEW WIPER MOTORS

YEAR	APPLICATION	FRONT	REAR
GMC SUVS / TRUCKS / VANS (Cont'd)			
PB15 SERIES			
1966	1 Speed Wipers	WPM119 (New)	—
	2-Speed w/3 Terminal	WPM154 (New)	—
	w/4 Terminal	WPM155 (New)	—
PB25 SERIES			
1966	1 Speed Wipers	WPM119 (New)	—
	2-Speed w/3 Terminal	WPM154 (New)	—
	w/4 Terminal	WPM155 (New)	—
PB2500 SERIES			
1965-63	2-Speed w/3 Terminal	WPM154 (New)	—
	w/4 Terminal	WPM155 (New)	—
1963	1 Speed Wipers	WPM119 (New)	—
R1500			
1987	All	WPM182	—
R1500 SUBURBAN			
1991-87	All	WPM182	—
R2500			
1989-87	All	WPM182	—
R2500 SUBURBAN			
1991-87	All	WPM182	—
R3500			
1991-87	All	WPM182	—
S15 JIMMY			
1991-85	w/Delay	WPM191	—
	w/o Delay	WPM190 (New)	—
1984-83	All	WPM190 (New)	—
S15 PICKUP			
1990-85	w/Delay	WPM191	—
	w/o Delay	WPM190 (New)	—
1984-82	All	WPM190 (New)	—
SAFARI			
2005-94	All	WPM1003	—
1993-91	All	WPM191	—
1990-85	w/Delay	WPM191	—
	w/o Delay	WPM190 (New)	—
SAVANA 1500			
2002-96	All	WPM1013	—
SAVANA 2500			
2002-96	All	WPM1013	—
SAVANA 3500			
2002-96	All	WPM1013	—
SIERRA 1500			
2003	All	WPM1046 (New)	—
2002-99	All	WPM1027	—
SIERRA 1500 HD			
2003	All	WPM1046 (New)	—

(New) denotes New Part Number

VEHICLE APPLICATION DATA

NEW WIPER MOTORS

VEHICLE APPLICATION DATA

YEAR	APPLICATION	FRONT	REAR
GMC SUVS / TRUCKS / VANS (Cont'd)			
SIERRA 1500 HD (Cont'd)			
2002-01	All	WPM1027	—
SIERRA 2500			
2003	All	WPM1046 (New)	—
2002-99	All	WPM1027	—
SIERRA 2500 HD			
2003	All	WPM1046 (New)	—
2002-01	All	WPM1027	—
SIERRA 3500			
2003	All	WPM1046 (New)	—
2002-01	All	WPM1027	—
SONOMA			
2004-98	All	WPM1030	—
1997-94	All	WPM1004	—
1993-91	w/Delay	WPM191	—
	w/o Delay	WPM190 (New)	—
SPRINT			
1977-75	w/Delay and w/1 Red Wire From Under Relay	WPM168 (New)	—
1977-74	w/o Delay	WPM162 (New)	—
1973	w/3 Terminals and Connector Located on the Bottom	WPM142 (New)	—
	Right Side	WPM162 (New)	—
1972	Concealed Wipers	WPM142 (New)	—
	Non-Concealed Wipers	WPM140 (New)	—
1971	Concealed Wipers and w/o Demand Pump	WPM142 (New)	—
	Non-Concealed Wipers	WPM140 (New)	—
1970	Concealed Wipers	WPM142 (New)	—
SUBURBAN			
1967-63	1 Speed Wipers	WPM119 (New)	—
	2-Speed w/3 Terminal	WPM154 (New)	—
	w/4 Terminal	WPM155 (New)	—
SYCLONE			
1991	w/Delay	WPM191	—
	w/o Delay	WPM190 (New)	—
TYPHOON			
1993-92	w/Delay	WPM191	—
	w/o Delay	WPM190 (New)	—
V1500			
1987	All	WPM182	—
V1500 SUBURBAN			
1991-87	All	WPM182	—
V2500			
1987	All	WPM182	—
V2500 SUBURBAN			
1991-87	All	WPM182	—
V3500			
1991-87	All	WPM182	—

(New) denotes New Part Number

NEW WIPER MOTORS

YEAR	APPLICATION	FRONT	REAR
GMC SUVS / TRUCKS / VANS (Cont'd)			
YUKON			
2006-04	All	—	WPM1049
2003	From 10/02	—	WPM1049
2002-00	All	WPM1027	—
1999-92	w/Delay	WPM158	—
	w/o Delay	WPM169	—
YUKON XL 1500			
2006-04	All	—	WPM1049
2003	All	WPM1046 (New)	WPM1049
2002-00	All	WPM1027	—
YUKON XL 2500			
2006-04	All	—	WPM1049
2003	All	WPM1046 (New)	WPM1049
2002-00	All	WPM1027	—
GMC MEDIUM DUTY TRUCKS			
B6000			
1982-80	2-Speed w/3 Terminal	WPM154 (New)	—
	w/4 Terminal	WPM155 (New)	—
C4500 TOPKICK			
2009-03	All	WPM1013	—
C5000			
1987-83	All	WPM180	—
C5000 TOPKICK			
1991-90	w/Delay	WPM158	—
	w/o Delay	WPM169	—
C5500 TOPKICK			
2009-03	All	WPM1013	—
2002-92	w/Delay	WPM158	—
1991-90	w/Delay	WPM158	—
	w/o Delay	WPM169	—
C6000			
1987-83	All	WPM180	—
C6000 TOPKICK			
1996-90	w/Delay	WPM158	—
	w/o Delay	WPM169	—
C6500 TOPKICK			
2009-03	All	WPM1013	—
2002-97	w/Delay	WPM158	—
	w/o Delay	WPM169	—
C7000			
1987-83	All	WPM180	—
C7000 TOPKICK			
1996-90	w/Delay	WPM158	—
	w/o Delay	WPM169	—
C7500 TOPKICK			
2009-03	All	WPM1013	—

(New) denotes New Part Number

VEHICLE APPLICATION DATA

NEW WIPER MOTORS

VEHICLE APPLICATION DATA

YEAR	APPLICATION	FRONT	REAR
GMC MEDIUM DUTY TRUCKS (Cont'd)			
C7500 TOPKICK (Cont'd)			
2002-97	w/Delay	WPM158	—
	w/o Delay	WPM169	—
T40			
1968-63	1 Speed Wipers	WPM119 (New)	—
	2-Speed Wipers w/3 Terminals	WPM120 (New)	—
	w/4 Terminals	WPM121 (New)	—
T6			
1976-75	All	WPM162 (New)	—
HONDA			
ACCORD			
2007-03	4 Door	WPM4028 (New)	—
1997-94	All	WPM1427 (New)	—
CIVIC			
2000-97	2 Door	WPM1428 (New)	—
	3 Door	WPM4000	—
	4 Door, Exc. USA Built Vehicle	WPM4000	—
	WPM1428 (New)	—
1996	All	WPM4000	—
1995-92	Delco Unit	WPM1428 (New)	—
HONDA SUVS / VANS			
CR-V			
2001-97	All	WPM4000	—
ODYSSEY			
2004-99	All	—	WPM4021 (New)
PILOT			
2008-05	All	WPM4028 (New)	—
HYUNDAI			
ACCENT			
2005-97	All	WPM4403 (New)	—
AZERA			
2014-12	All	WPM85008 (New)	—
ELANTRA			
2008	From 5/25/08	WPM85008 (New)	—
2000-96	All	WPM4403 (New)	—
SONATA			
2014-13	Hybrid	WPM85008 (New)	—
TIBURON			
2001-97	All	WPM4403 (New)	—
HYUNDAI SUVS			
VERACRUZ			
2012-07	All	—	WPM8574 (New)

(New) denotes New Part Number

NEW WIPER MOTORS

YEAR	APPLICATION	FRONT	REAR
ISUZU SUVS / TRUCKS			
ASCENDER			
2008-03	All	—	WPM1045 (New)
HOMBRE			
2000-98	All	WPM1030	—
1997-96	All	WPM1004	—
JAGUAR			
S-TYPE			
2006	To VIN# N46128	WPM2010	—
2005-04	All	WPM2010	—
2003-00	All	WPM2010	—
JEEP SUVS / TRUCKS			
CHEROKEE			
2001-00	All	—	WPM444 (New)
1999	Front w/Pivot, Rear All	WPM438 (New)	WPM444 (New)
1998-97	All	WPM438 (New)	WPM444 (New)
1996-92	All	WPM438 (New)	—
1983-79	All	WPM265	—
1978-74	2-Speed w/3 Terminal	WPM154 (New)	—
	w/4 Terminal	WPM155 (New)	—
CJ5			
1983	Left Hand Drive	WPM433	—
1982-81	All	WPM437	—
CJ7			
1986-83	Left Hand Drive	WPM433	—
1982-81	All	WPM437	—
COMANCHE			
1992-91	All	WPM438 (New)	—
GRAND CHEROKEE			
2004-99	All	WPM443 (New)	WPM450
1998-97	All	—	WPM446 (New)
1996-93	All	WPM439 (New)	WPM446 (New)
GRAND WAGONEER			
1993	All	WPM439 (New)	WPM446 (New)
J10			
1986-79	All	WPM265	—
1978-74	2-Speed w/3 Terminal	WPM154 (New)	—
	w/4 Terminal	WPM155 (New)	—
J-100			
1971-63	2-Speed w/3 Terminal	WPM154 (New)	—
	w/4 Terminal	WPM155 (New)	—
1966-63	1 Speed Wipers	WPM119 (New)	—
J20			
1986-79	All	WPM265	—
1978-74	2-Speed w/3 Terminal	WPM154 (New)	—
	w/4 Terminal	WPM155 (New)	—

VEHICLE APPLICATION DATA

(New) denotes New Part Number

NEW WIPER MOTORS

VEHICLE APPLICATION DATA

YEAR	APPLICATION	FRONT	REAR
JEEP SUVS / TRUCKS (Cont'd)			
J-2500			
1973-63	2-Speed w/3 Terminal	WPM154 (New)	—
	w/4 Terminal	WPM155 (New)	—
1966-63	1 Speed Wipers	WPM119 (New)	—
J-2600			
1973-68	2-Speed w/3 Terminal	WPM154 (New)	—
	w/4 Terminal	WPM155 (New)	—
J-2700			
1970-68	2-Speed w/3 Terminal	WPM154 (New)	—
	w/4 Terminal	WPM155 (New)	—
J-2800			
1968	2-Speed w/3 Terminal	WPM154 (New)	—
	w/4 Terminal	WPM155 (New)	—
J-3500			
1970-68	2-Speed w/3 Terminal	WPM154 (New)	—
	w/4 Terminal	WPM155 (New)	—
J-3600			
1970-68	2-Speed w/3 Terminal	WPM154 (New)	—
	w/4 Terminal	WPM155 (New)	—
J-3700			
1970-68	2-Speed w/3 Terminal	WPM154 (New)	—
	w/4 Terminal	WPM155 (New)	—
J-3800			
1970-68	2-Speed w/3 Terminal	WPM154 (New)	—
	w/4 Terminal	WPM155 (New)	—
JEEPSTER			
1973-66	2-Speed w/3 Terminal	WPM154 (New)	—
	w/4 Terminal	WPM155 (New)	—
1966	1 Speed Wipers	WPM119 (New)	—
LIBERTY			
2007-02	All	WPM443 (New)	WPM450
TJ			
2002-97	All	WPM442	—
WAGONEER			
1983-79	All	WPM265	—
1978-63	2-Speed w/3 Terminal	WPM154 (New)	—
	w/4 Terminal	WPM155 (New)	—
WRANGLER			
2002-97	All	WPM442	—
1995-87	All	WPM432	—
YJ			
1995-91	All	WPM432	—
JOHN DEERE			
484			
1983-79	All	WPM8005 (New)	—

(New) denotes New Part Number

NEW WIPER MOTORS

YEAR	APPLICATION	FRONT	REAR
JOHN DEERE (Cont'd)			
2250			
1978-75 All		WPM8005 (New)	—
2270			
1978-75 All		WPM8005 (New)	—
2280			
1985-75 All		WPM8005 (New)	—
2420			
1985-75 All		WPM8005 (New)	—
2510			
1968-65 All		WPM8005 (New)	—
3020			
1972-63 All		WPM8005 (New)	—
4000			
1972-69 All		WPM8005 (New)	—
4020			
1972-63 All		WPM8005 (New)	—
4030			
1978-73 All		WPM8005 (New)	—
4040			
1982-78 All		WPM8005 (New)	—
4050			
1988-83 All		WPM8005 (New)	—
4055			
1992-89 All		WPM8005 (New)	—
4230			
1978-73 All		WPM8005 (New)	—
4240			
1982-78 All		WPM8005 (New)	—
4250			
1988-83 All		WPM8005 (New)	—
4255			
1992-89 All		WPM8005 (New)	—
4320			
2009-04 All		WPM8005 (New)	—
4400			
2007-98 All		WPM8005 (New)	—
4420			
1984-81 All		WPM8005 (New)	—
4430			
1978-73 All		WPM8005 (New)	—
4440			
1982-78 All		WPM8005 (New)	—

(New) denotes New Part Number

VEHICLE APPLICATION DATA

NEW WIPER MOTORS

VEHICLE APPLICATION DATA

YEAR	APPLICATION	FRONT	REAR
JOHN DEERE (Cont'd)			
4450			
1990-83 All	WPM8005 (New)	—
4455			
1992-89 All	WPM8005 (New)	—
4520			
2009-04 All	WPM8005 (New)	—
4555			
1992-89 All	WPM8005 (New)	—
4560			
1992-89 All	WPM8005 (New)	—
4630			
1978-73 All	WPM8005 (New)	—
4640			
1982-78 All	WPM8005 (New)	—
4650			
1988-83 All	WPM8005 (New)	—
4755			
1993-92 All	WPM8005 (New)	—
4760			
1993-92 All	WPM8005 (New)	—
4840			
1982-79 All	WPM8005 (New)	—
4850			
1988-83 All	WPM8005 (New)	—
4955			
1993-92 All	WPM8005 (New)	—
4960			
1993-92 All	WPM8005 (New)	—
5020			
1972-66 All	WPM8005 (New)	—
5200			
1978-76 All	WPM8005 (New)	—
5400			
2005-92 All	WPM8005 (New)	—
5440			
1982-77 All	WPM8005 (New)	—
5460			
1982-77 All	WPM8005 (New)	—
5720			
1986-82 All	WPM8005 (New)	—
5820			
1986-82 All	WPM8005 (New)	—

(New) denotes New Part Number

NEW WIPER MOTORS

YEAR	APPLICATION	FRONT	REAR
JOHN DEERE (Cont'd)			
6000			
1979-75 All		WPM8005 (New)	—
6030			
1977-70 All		WPM8005 (New)	—
6600			
1998-92 All		WPM8005 (New)	—
6620			
2005-02 All		WPM8005 (New)	—
7020			
1975-71 All		WPM8005 (New)	—
7440			
1986-84 All		WPM8005 (New)	—
7445			
1994-87 All		WPM8005 (New)	—
7700			
1982-70 All		WPM8005 (New)	—
7720			
1988-81 All		WPM8005 (New)	—
8430			
1978-75 All		WPM8005 (New)	—
8440			
1982-79 All		WPM8005 (New)	—
8450			
1988-82 All		WPM8005 (New)	—
8630			
1980-75 All		WPM8005 (New)	—
8640			
1982-79 All		WPM8005 (New)	—
8650			
1989-82 All		WPM8005 (New)	—
8820			
1988-81 All		WPM8005 (New)	—
8850			
1988-81 All		WPM8005 (New)	—
9900			
1978-75 All		WPM8005 (New)	—
9910			
1987-79 All		WPM8005 (New)	—
9920			
1987-83 All		WPM8005 (New)	—
9930			
1993-87 All		WPM8005 (New)	—

(New) denotes New Part Number

VEHICLE APPLICATION DATA

NEW WIPER MOTORS

VEHICLE APPLICATION DATA

YEAR	APPLICATION	FRONT	REAR
JOHN DEERE (Cont'd)			
9940			
1986-83 All	WPM8005 (New)	—
9950			
1990-87 All	WPM8005 (New)	—
9960			
1993-87 All	WPM8005 (New)	—
2320 WINDROWER			
1983-81 All	WPM8005 (New)	—
7520 FARM TRACTOR			
1975-71 All	WPM8005 (New)	—
KIA			
FORTE			
2013-10 All	WPM85008 (New)	—
FORTE5			
2013-12 All	WPM85008 (New)	—
LAND ROVER SUVS			
RANGE ROVER			
2012-03 All	WPM2103 (New)	—
LEXUS			
ES250			
1991-90 All	WPM1735 (New)	—
ES300			
2003-97 All	WPM2015 (New)	—
ES330			
2006-04 All	WPM2015 (New)	—
IS300			
2005-01 All	WPM2015 (New)	—
LEXUS SUVS			
RX330			
2006-04 USA Built	WPM2015 (New)	—
RX350			
2009-07 USA Built	WPM2015 (New)	—
LINCOLN			
CONTINENTAL			
2002-98 All	WPM2010	—
1997-95 All	WPM2001	—
1994-88 1 Plug Motor	WPM2001	—
2 Plug Motor	WPM298	—

(New) denotes New Part Number

NEW WIPER MOTORS

YEAR	APPLICATION	FRONT	REAR
LINCOLN (Cont'd)			
LS			
2006-03	w/o Speed Sensitive Intermittent Wiper	WPM2036 (New)	—
2002-00	All	WPM2010	—
MARK VIII			
1998-94	All	WPM2008	—
TOWN CAR			
2007-03	w/o Speed Sensitive Intermittent Wiper	WPM2036 (New)	—
2002-98	All	WPM2010	—
1997-95	All	WPM2005	—
1994-90	All	WPM269	—
VERSAILLES			
1980-77	All	WPM265	—
LINCOLN SUVS / TRUCKS			
AVIATOR			
2005-03	w/o Speed Sensitive Intermittent Wiper	WPM2036 (New)	—
BLACKWOOD			
2003-02	All	WPM2010	—
MARK LT			
2007-06	w/o Speed Sensitive Intermittent Wiper	WPM2036 (New)	—
MKX			
2009-07	w/o Speed Sensitive Intermittent Wiper	WPM2036 (New)	—
NAVIGATOR			
2009-03	All	—	WPM2060 (New)
2007-03	w/o Speed Sensitive Intermittent Wiper	WPM2036 (New)	—
2002	Front 12 Terminal Plug, w/o Speed Sensitive Intermittent Wiper, Rear All	WPM2036 (New)	WPM2030
	5 Terminal, 1 Plug Motor, Rear All	WPM2010	WPM2030
2001-98	All	WPM2010	WPM2030
MAZDA SUVS / TRUCKS			
B2300			
2007-01	All	WPM2013	—
1997-95	All	WPM2003 (New)	—
1994	All	WPM265	—
B2500			
2001-98	All	WPM2013	—
B3000			
2007-98	All	WPM2013	—
1997-95	All	WPM2003 (New)	—
1994	All	WPM265	—
B4000			
2007-98	All	WPM2013	—
1997-95	All	WPM2003 (New)	—
1994	All	WPM265	—
NAVAJO			
1994-91	All	WPM265	—

VEHICLE APPLICATION DATA

(New) denotes New Part Number

NEW WIPER MOTORS

VEHICLE APPLICATION DATA

YEAR	APPLICATION	FRONT	REAR
MAZDA SUVS / TRUCKS (Cont'd)			
TRIBUTE			
2006-01	All	WPM2010	WPM2044
MERCEDES-BENZ			
190D			
1989-84	SWF Type	WPM1512	—
190E			
1993-84	SWF Type	WPM1512	—
260E			
1989-87	Bosch Type	WPM1513	—
300CE			
1993-88	All	WPM1513	—
300D			
1993-91	Bosch Type	WPM1513	—
1990-87	All	WPM1513	—
300E			
1993-91	Bosch Type	WPM1513	—
1990-86	All	WPM1513	—
300TE			
1993-88	Bosch Type	WPM1513	—
400E			
1993-92	All	WPM1513	—
500E			
1993-92	All	WPM1513	—
E300			
1995	Bosch Type	WPM1513	—
E320			
1995-94	Bosch Type	WPM1513	—
E420			
1995-94	Bosch Type	WPM1513	—
E500			
1994	Bosch Type	WPM1513	—
R320			
2009-07	All	—	WPM3028
R350			
2012-06	All	—	WPM3028
R500			
2007-06	All	—	WPM3028
R63 AMG			
2007	All	—	WPM3028

(New) denotes New Part Number

NEW WIPER MOTORS

YEAR	APPLICATION	FRONT	REAR
MERCEDES-BENZ SUVS			
GL320			
2009-07	All	—	WPM3028
GL350			
2014-10	All	—	WPM3028
GL450			
2014-07	All	—	WPM3028
GL550			
2014-08	All	—	WPM3028
ML320			
2009-07	All	—	WPM3028
1998	All	WPM1836	—
ML350			
2014-06	All	—	WPM3028
ML450			
2011-10	All	—	WPM3028
ML500			
2007-06	All	—	WPM3028
ML550			
2014-08	All	—	WPM3028
ML63 AMG			
2014-07	All	—	WPM3028
MERCURY			
CAPRI			
1986-79	All	WPM265	—
COMET			
1977-66	All	WPM265	—
COUGAR			
2002-99	All	WPM2010	—
1997-94	5 Terminal, 1 Plug Motor	WPM2013	—
	6 Terminal, 1 Plug Motor	WPM2003 (New)	—
1993-90	3 Terminal Plug	WPM267	—
	5 Terminal, 1 Plug Motor	WPM2013	—
	6 Terminal, 1 Plug Motor	WPM2003 (New)	—
1989	1 Plug Motor	WPM2003 (New)	—
	3 Terminal Plug	WPM267	—
1982-69	All	WPM265	—
1968-67	2-Speed Wipers	WPM265	—
GRAND MARQUIS			
2006-03	All	WPM2048 (New)	—
2002-95	All	WPM2005	—
1994-92	All	WPM269	—
LN7			
1983-82	All	WPM265	—
LYNX			
1987-81	All	WPM265	—

(New) denotes New Part Number

VEHICLE APPLICATION DATA

NEW WIPER MOTORS

VEHICLE APPLICATION DATA

YEAR	APPLICATION	FRONT	REAR
MERCURY (Cont'd)			
MARQUIS			
1986-83	All	WPM265	—
1968-67	2-Speed Wipers	WPM265	—
MARAUDER			
2004-03	All	WPM2048 (New)	—
MONARCH			
1980-75	All	WPM265	—
MONTEGO			
2007-05	w/o Speed Sensitive Intermittent Wiper	WPM2036 (New)	—
1973-72	Non-Consealed Wipers	WPM265	—
1971-68	All	WPM265	—
MYSTIQUE			
2000-98	All	WPM2010	—
1997-95	5 Terminal, 1 Plug Motor	WPM2010	—
	6 Terminal, 1 Plug Motor	WPM2009	—
SABLE			
2008	w/o Speed Sensitive Intermittent Wiper	WPM2036 (New)	—
2005-96	All	WPM2010	—
1995-94	All	WPM2001	—
1993-87	1 Plug Motor	WPM2001	—
	2 Plug Motor	WPM298	—
TOPAZ			
1994-86	All	WPM297	—
TRACER			
1999-97	5 Terminal, 1 Plug Motor	WPM2013	—
1996-95	5 Terminal, 1 Plug Motor	WPM2013	—
	6 Terminal, 1 Plug Motor	WPM2003 (New)	—
1994-91	2 Plug Motor	WPM297	—
	5 Terminal, 1 Plug Motor	WPM2013	—
	6 Terminal, 1 Plug Motor	WPM2003 (New)	—
ZEPHYR			
1983-78	All	WPM265	—
MERCURY SUVS / VANS			
MARINER			
2007-05	All	WPM2010	WPM2044
MOUNTAINEER			
2010-08	All	—	WPM2062
2007-06	w/o Speed Sensitive Intermittent Wiper	WPM2036 (New)	WPM2062
2005-03	w/o Speed Sensitive Intermittent Wiper	WPM2036 (New)	—
2002	From 03/04/02, w/o Speed Sensitive Intermittent Wiper	WPM2036 (New)	—
	To 03/04/02	WPM2010	—
2001-98	All	WPM2013	WPM2030
1997	5 Terminal, 1 Plug Motor	WPM2013	—
	6 Terminal, 1 Plug Motor	WPM2003 (New)	—
VILLAGER			
2002-93	All	WPM1254 (New)	—

(New) denotes New Part Number

NEW WIPER MOTORS

YEAR	APPLICATION	FRONT	REAR
MITSUBISHI			
MIRAGE			
2002-97 All		WPM4201 (New)	—
MITSUBISHI SUVS / TRUCKS			
MONTERO SPORT			
2004-97 All		WPM4201 (New)	—
OUTLANDER			
2006-03 All		WPM6004 (New)	—
RAIDER			
2009-06 All		WPM443 (New)	—
NISSAN			
ALTIMA			
2001 To 4/2001		WPM4307 (New)	—
2000-97 All		WPM4307 (New)	—
1996 From 02/1996		WPM4307 (New)	—
NISSAN VANS			
QUEST			
2002-93 All		WPM1254 (New)	—
OLDSMOBILE			
98			
1984-75	w/Delay and w/1 Red Wire From Under Relay	WPM168 (New)	—
	w/o Delay	WPM162 (New)	—
1974	w/3 Terminals and Connector Located on Right Side	WPM162 (New)	—
1973	w/3 Terminals and Connector Located on Right Side	WPM162 (New)	—
	w/o Demand Pump and w/3 Terminals and Connector Located on the Bottom	WPM142 (New)	—
1972-68	w/o Demand Pump	WPM142 (New)	—
ALERO			
2003 To 2/3/2003		WPM1015 (New)	—
2002-99 All		WPM1015 (New)	—
AURORA			
2003-01 All		WPM1029	—
CUSTOM CRUISER			
1990-75	w/Delay and w/1 Red Wire From Under Relay	WPM168 (New)	—
	w/o Delay	WPM162 (New)	—
1974	w/3 Terminals and Connector Located on Right Side	WPM162 (New)	—
1973	w/3 Terminals and Connector Located on Right Side	WPM162 (New)	—
	w/o Demand Pump and w/3 Terminals and Connector Located on the Bottom	WPM142 (New)	—
1972-71	w/o Demand Pump	WPM142 (New)	—
CUTLASS			
1999-97 All		WPM1014	—
1981-74	w/Delay and w/1 Red Wire From Under Relay	WPM168 (New)	—
	w/o Delay	WPM162 (New)	—
1973	w/3 Terminals and Connector Located on the Bottom	WPM142 (New)	—
	Right Side	WPM162 (New)	—
1972-68	Concealed Wipers and w/o Demand Pump	WPM142 (New)	—

VEHICLE APPLICATION DATA

(New) denotes New Part Number

NEW WIPER MOTORS

VEHICLE APPLICATION DATA

YEAR	APPLICATION	FRONT	REAR
OLDSMOBILE (Cont'd)			
CUTLASS (Cont'd)			
1967-65	2-Speed Wipers w/3 Terminals	WPM120 (New)	—
	w/4 Terminals	WPM121 (New)	—
1965-64	1 Speed Wipers	WPM119 (New)	—
CUTLASS CIERA			
1983-82	w/Delay and w/1 Red Wire From Under Relay	WPM168 (New)	—
	w/o Delay	WPM162 (New)	—
CUTLASS SUPREME			
1983-74	w/Delay and w/1 Red Wire From Under Relay	WPM168 (New)	—
	w/o Delay	WPM162 (New)	—
1973	w/3 Terminals and Connector Located on the Bottom	WPM142 (New)	—
	Right Side	WPM162 (New)	—
1972-71	Concealed Wipers and w/o Demand Pump	WPM142 (New)	—
	Non-Concealed Wipers	WPM140 (New)	—
DELTA 88			
1985-75	w/Delay and w/1 Red Wire From Under Relay	WPM168 (New)	—
	w/o Delay	WPM162 (New)	—
1974	w/3 Terminals and Connector Located on Right Side	WPM162 (New)	—
1973	w/3 Terminals and Connector Located on Right Side	WPM162 (New)	—
	w/o Demand Pump and w/3 Terminals and Connector Located on the Bottom	WPM142 (New)	—
1972-68	w/o Demand Pump	WPM142 (New)	—
F85			
1972-68	Concealed Wipers and w/o Demand Pump	WPM142 (New)	—
	Non-Concealed Wipers	WPM140 (New)	—
1967-65	2-Speed Wipers w/3 Terminals	WPM120 (New)	—
	w/4 Terminals	WPM121 (New)	—
1965-64	1 Speed Wipers	WPM119 (New)	—
FIRENZA			
1988-84	w/Delay	WPM191	—
	w/o Delay	WPM190 (New)	—
1983-82	All	WPM190 (New)	—
INTRIGUE			
2002-98	All	WPM1012	—
OMEGA			
1979-73	All	WPM140 (New)	—
STARFIRE			
1980-75	All	WPM140 (New)	—
TORONADO			
1985-75	w/Delay and w/1 Red Wire From Under Relay	WPM168 (New)	—
	w/o Delay	WPM162 (New)	—
1974	w/3 Terminals and Connector Located on Right Side	WPM162 (New)	—
1973	w/3 Terminals and Connector Located on Right Side	WPM162 (New)	—
	w/o Demand Pump and w/3 Terminals and Connector Located on the Bottom	WPM142 (New)	—
1972-68	w/o Demand Pump	WPM142 (New)	—
OLDSMOBILE SUVS / VANS			
BRAVADA			
2004	All	—	WPM1045 (New)
2001-98	All	WPM1030	WPM1005

(New) denotes New Part Number

NEW WIPER MOTORS

YEAR	APPLICATION	FRONT	REAR
OLDSMOBILE SUVs / VANS (Cont'd)			
BRAVADA (Cont'd)			
1997-96 All		WPM1004	WPM1005
1994 All		WPM191	—
1993-91 w/Delay		WPM191	—
w/o Delay		WPM190 (New)	—
SILHOUETTE			
2004-97 All		WPM1025	WPM1026
1996-90 All		WPM192	—
PLYMOUTH			
ACCLAIM			
1995-89 All		WPM387	—
CARAVELLE			
1989	2-3/8" Dia. Motor Housing	WPM388	—
GRAN FURY			
1989	2-3/8" Dia. Motor Housing	WPM388	—
HORIZON			
1990	All	WPM388	—
1989	2-3/8" Dia. Motor Housing	WPM388	—
RELIANT			
1989	2-3/8" Dia. Motor Housing	WPM388	—
SUNDANCE			
1994-90 All		WPM387	—
1989	From 10/03/88	WPM387	—
PLYMOUTH VANS			
GRAND VOYAGER			
2000-96 All		WPM3001	—
1995-90 All		WPM388	—
1989	2-3/8" Dia. Motor Housing	WPM388	—
VOYAGER			
2000-96 All		WPM3001	—
1995-90 All		WPM388	—
1989	2-3/8" Dia. Motor Housing	WPM388	—
PONTIAC			
6000			
1983-82	w/Delay and w/1 Red Wire From Under Relay	WPM168 (New)	—
	w/o Delay	WPM162 (New)	—
ACADIAN			
1987-82 All		WPM140 (New)	—
ASTRE			
1977-75 All		WPM140 (New)	—
BONNEVILLE			
2005-00 All		WPM1029	—
1983-75	w/Delay and w/1 Red Wire From Under Relay	WPM168 (New)	—

VEHICLE APPLICATION DATA

(New) denotes New Part Number

NEW WIPER MOTORS

VEHICLE APPLICATION DATA

YEAR	APPLICATION	FRONT	REAR
PONTIAC (Cont'd)			
BONNEVILLE (Cont'd)			
1983-75 (Cont'd)			
	w/o Delay	WPM162 (New)	—
1974	w/3 Terminals and Connector Located on Right Side	WPM162 (New)	—
1973	w/3 Terminals and Connector Located on Right Side	WPM162 (New)	—
	the Bottom	WPM142 (New)	—
1972-68	All	WPM142 (New)	—
CATALINA			
1981-75	w/Delay and w/1 Red Wire From Under Relay	WPM168 (New)	—
	w/o Delay	WPM162 (New)	—
1974	w/3 Terminals and Connector Located on Right Side	WPM162 (New)	—
1973	w/3 Terminals and Connector Located on Right Side	WPM162 (New)	—
	the Bottom	WPM142 (New)	—
1972-68	All	WPM142 (New)	—
FIERO			
1988-85	w/Delay	WPM191	—
	w/o Delay	WPM190 (New)	—
1984	All	WPM190 (New)	—
FIREBIRD			
1983-79	w/Delay and w/1 Red Wire From Under Relay	WPM168 (New)	—
	w/o Delay	WPM162 (New)	—
1978	Concealed Wipers and w/Delay and w/1 Red Wire From Under Relay	WPM168 (New)	—
	Wipers, w/o Delay	WPM162 (New)	—
	Non-Concealed Wipers	WPM140 (New)	—
1977-74	Concealed Wipers	WPM162 (New)	—
	Non-Concealed Wipers	WPM140 (New)	—
1973	Concealed Wipers and w/3 Terminals and Connector Located on the Bottom	WPM142 (New)	—
	Wipers, w/3 Terminals and Connector Located on Right Side	WPM162 (New)	—
	Non-Concealed Wipers	WPM140 (New)	—
1972-68	Concealed Wipers	WPM142 (New)	—
	Non-Concealed Wipers	WPM140 (New)	—
1967	2-Speed Wipers w/3 Terminals	WPM120 (New)	—
	w/4 Terminals	WPM121 (New)	—
G5			
2010-07	All	WPM1059 (New)	—
GRAND AM			
2003	To 1/3/2003	WPM1015 (New)	—
2002-99	All	WPM1015 (New)	—
1980-75	w/Delay and w/1 Red Wire From Under Relay	WPM168 (New)	—
	w/o Delay	WPM162 (New)	—
1974	w/3 Terminals and Connector Located on Right Side	WPM162 (New)	—
1973	w/3 Terminals and Connector Located on Right Side	WPM162 (New)	—
	the Bottom	WPM142 (New)	—
GRAND PRIX			
2003-97	All	WPM1012	—
1983-75	w/Delay and w/1 Red Wire From Under Relay	WPM168 (New)	—
	w/o Delay	WPM162 (New)	—
1974	w/3 Terminals and Connector Located on Right Side	WPM162 (New)	—
1973	w/3 Terminals and Connector Located on Right Side	WPM162 (New)	—
	the Bottom	WPM142 (New)	—
1972-68	All	WPM142 (New)	—

(New) denotes New Part Number

NEW WIPER MOTORS

YEAR	APPLICATION	FRONT	REAR
PONTIAC (Cont'd)			
GRAND SAFARI			
1975	w/Delay and w/1 Red Wire From Under Relay	WPM168 (New)	—
	w/o Delay	WPM162 (New)	—
GTO			
1971-68	Concealed Wipers	WPM142 (New)	—
	Non-Concealed Wipers	WPM140 (New)	—
1967-64	1 Speed Wipers	WPM119 (New)	—
	2-Speed Wipers w/3 Terminals	WPM120 (New)	—
	w/4 Terminals	WPM121 (New)	—
J2000			
1983-82	w/Delay	WPM191	—
	w/o Delay	WPM190 (New)	—
J2000 SUNBIRD			
1985-84	w/Delay	WPM191	—
	w/o Delay	WPM190 (New)	—
LEMANS			
1981-75	w/Delay and w/1 Red Wire From Under Relay	WPM168 (New)	—
	w/o Delay	WPM162 (New)	—
1974	w/3 Terminals and Connector Located on Right Side	WPM162 (New)	—
1973	w/3 Terminals and Connector Located on Right Side	WPM162 (New)	—
	the Bottom	WPM142 (New)	—
1972-68	Concealed Wipers	WPM142 (New)	—
	Non-Concealed Wipers	WPM140 (New)	—
1967-64	1 Speed Wipers	WPM119 (New)	—
	2-Speed Wipers w/3 Terminals	WPM120 (New)	—
	w/4 Terminals	WPM121 (New)	—
PARISIENNE			
1986-82	w/Delay and w/1 Red Wire From Under Relay	WPM168 (New)	—
	w/o Delay	WPM162 (New)	—
PHOENIX			
1979-77	All	WPM140 (New)	—
PURSUIT			
2006-05	All	WPM1059 (New)	—
SAFARI			
1989-87	w/Delay and w/1 Red Wire From Under Relay	WPM168 (New)	—
	w/o Delay	WPM162 (New)	—
SUNBIRD			
1994-86	w/Delay	WPM191	—
	w/o Delay	WPM190 (New)	—
1980-76	All	WPM140 (New)	—
SUNFIRE			
2003	To 1/3/2003	WPM1015 (New)	—
2002-98	All	WPM1015 (New)	—
1997-95	All	WPM1010	—
T1000			
1987-81	All	WPM140 (New)	—
TEMPEST			
1991-87	w/Concealed Wipers	WPM191	—

(New) denotes New Part Number

NEW WIPER MOTORS

VEHICLE APPLICATION DATA

YEAR	APPLICATION	FRONT	REAR
PONTIAC (Cont'd)			
TEMPEST (Cont'd)			
1991-87 (Cont'd)			
	w/o Delay	WPM190 (New)	—
1970-68	Concealed Wipers	WPM142 (New)	—
	Non-Concealed Wipers	WPM140 (New)	—
1967-64	1 Speed Wipers	WPM119 (New)	—
	2-Speed Wipers w/3 Terminals	WPM120 (New)	—
	w/4 Terminals	WPM121 (New)	—
VENTURA			
1977-71	Non-Concealed Wipers	WPM140 (New)	—
1972-71	Concealed Wipers	WPM142 (New)	—
PONTIAC VANS			
MONTANA			
2009-05	SV6	—	WPM1058
2005	Front All, Rear Base Only	WPM1025	WPM1026
2004-99	All	WPM1025	WPM1026
TRANS SPORT			
1998-97	All	WPM1025	WPM1026
1996-90	All	WPM192	—
RAM TRUCKS			
DAKOTA			
2011	All	WPM443 (New)	—
SAAB SUVS			
9-7X			
2009-05	All	—	WPM1045 (New)
SATURN			
ION			
2007-03	All	WPM1059 (New)	—
ION-1			
2005-03	All	WPM1059 (New)	—
ION-2			
2007-03	All	WPM1059 (New)	—
ION-3			
2007-03	All	WPM1059 (New)	—
L100			
2002-01	All	WPM1035 (New)	—
L200			
2003-01	All	WPM1035 (New)	—
L300			
2005-01	All	WPM1035 (New)	—
L300-1			
2004	All	WPM1035 (New)	—

(New) denotes New Part Number

NEW WIPER MOTORS

YEAR	APPLICATION	FRONT	REAR
SATURN (Cont'd)			
L300-2			
2004	All	WPM1035 (New)	—
L300-3			
2004	All	WPM1035 (New)	—
LS			
2000	All	WPM1035 (New)	—
LS1			
2000	All	WPM1035 (New)	—
LS2			
2000	All	WPM1035 (New)	—
LW1			
2000	All	WPM1035 (New)	—
LW2			
2000	All	WPM1035 (New)	—
LW200			
2003-01	All	WPM1035 (New)	—
LW300			
2003-01	All	WPM1035 (New)	—
SC			
1992-91	All	WPM101	—
SC1			
2000	5 Terminal Plug	WPM101	—
1999-93	All	WPM101	—
SC2			
2000	5 Terminal Plug	WPM101	—
1999-93	All	WPM101	—
SL			
2000	5 Terminal Plug	WPM101	—
1999-91	All	WPM101	—
SL1			
2000	5 Terminal Plug	WPM101	—
1999-91	All	WPM101	—
SL2			
2000	5 Terminal Plug	WPM101	—
1999-91	All	WPM101	—
SW1			
1999-93	All	WPM101	—
SW2			
2000-93	All	WPM101	—
SATURN SUVS / VANS			
RELAY			
2007-05	All	—	WPM1058

VEHICLE APPLICATION DATA

(New) denotes New Part Number

NEW WIPER MOTORS

VEHICLE APPLICATION DATA

YEAR	APPLICATION	FRONT	REAR
SATURN SUVS / VANS (Cont'd)			
RELAY-1			
2007	All	—	WPM1058
RELAY-2			
2007-05	All	—	WPM1058
RELAY-3			
2007-05	All	—	WPM1058
VUE			
2006-02	All	—	WPM1055 (New)
SCION			
XB			
2006-04	All	WPM2015 (New)	—
SUZUKI			
AERIO			
2007-02	All	WPM6004 (New)	—
TOYOTA			
AVALON			
2005-00	All	WPM6036 (New)	—
CAMRY			
2006-02	Denso Type	WPM2015 (New)	—
2001-97	Denso Type	WPM6004 (New)	—
1991-87	All	WPM1735 (New)	—
PASEO			
1998	United States	WPM6053 (New)	—
1992	All	WPM1735 (New)	—
SOLARA			
2008-99	All	WPM2015 (New)	—
SUPRA			
1993-86	All	WPM1735 (New)	—
TERCEL			
1999-97	Nippon Denso Type, Exc. Cold Spec.	WPM6053 (New)	—
1992-89	All	WPM1735 (New)	—
TOYOTA SUVS / TRUCKS / VANS			
4RUNNER			
2002-01	Cold Spec Equipped	WPM1735 (New)	—
1995-90	All	WPM1735 (New)	—
1989	From 04/1989	WPM1735 (New)	—
PICKUP			
1995-89	All	WPM1735 (New)	—
RAV4			
2005-01	All	WPM2015 (New)	—

(New) denotes New Part Number

NEW WIPER MOTORS

YEAR	APPLICATION	FRONT	REAR
TOYOTA SUVS / TRUCKS / VANS (Cont'd)			
SIENNA			
2010-04	All	WPM2015 (New)	—
VOLKSWAGEN			
BEETLE			
2010-98	All	WPM1835	—
CABRIO			
2002-00	All	WPM1835	—
1999-98	All	WPM1836	—
1997-95	All	WPM1835	—
CORRADO			
1994-90	All	WPM1835	—
GOLF			
2001-00	All	WPM1835	—
1999-94	All	WPM1836	—
1993	All	WPM1835	—
JETTA			
2001-00	All	WPM1835	—
1999-94	All	WPM1836	—
1993	All	WPM1835	—
PASSAT			
1999-98	All	WPM3503 (New)	—
1997-90	All	WPM1835	—
VOLKSWAGEN VANS			
EUROVAN			
2003-93	All	WPM1835	—

VEHICLE APPLICATION DATA

(New) denotes New Part Number

NEW WIPER MOTORS

WPM101



WPM119



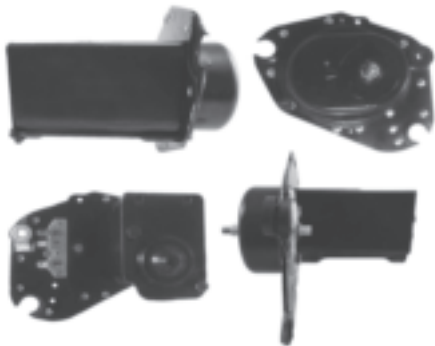
WPM120



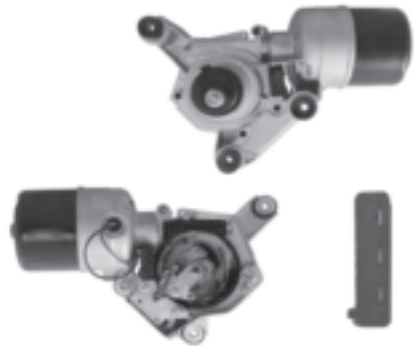
WPM121



WPM140

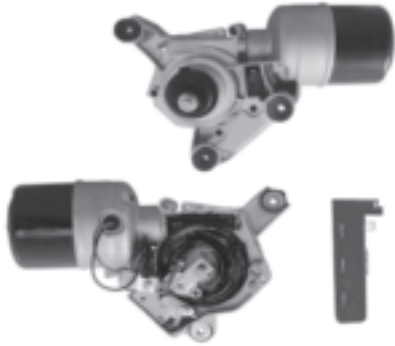


WPM142

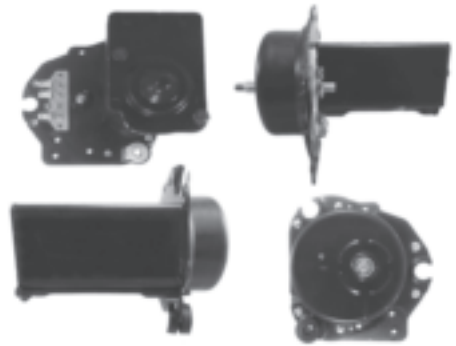


NEW WIPER MOTORS

WPM148



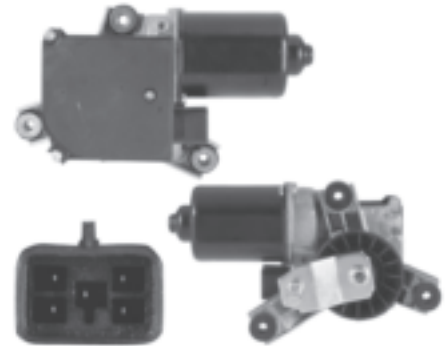
WPM154



WPM155



WPM158



WPM162



WPM168

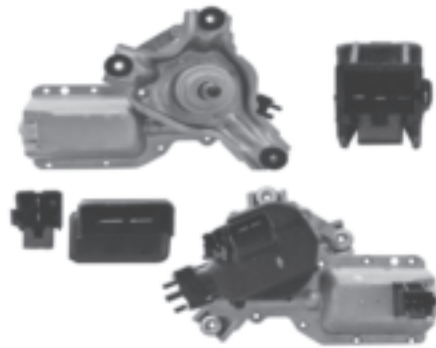


NEW WIPER MOTORS

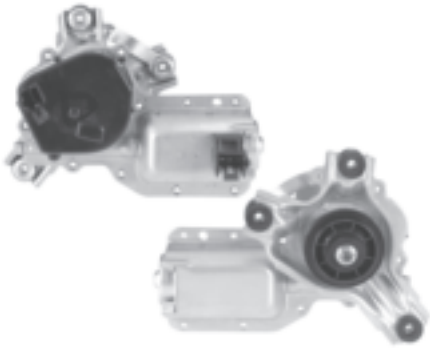
WPM169



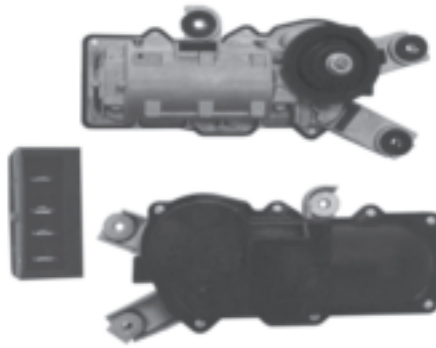
WPM180



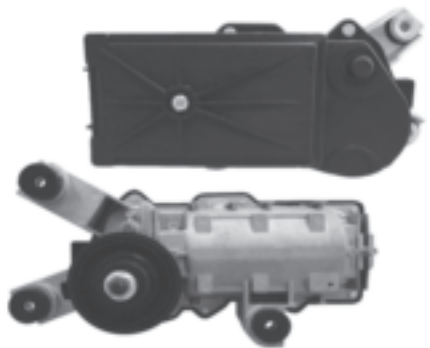
WPM182



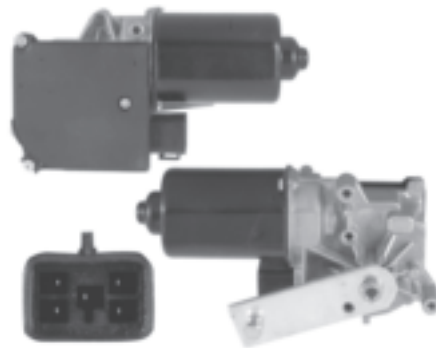
WPM190



WPM191



WPM192



NEW WIPER MOTORS

WPM265



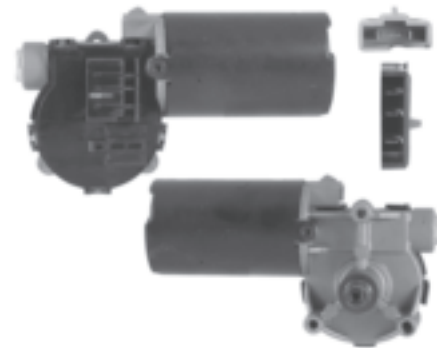
WPM267



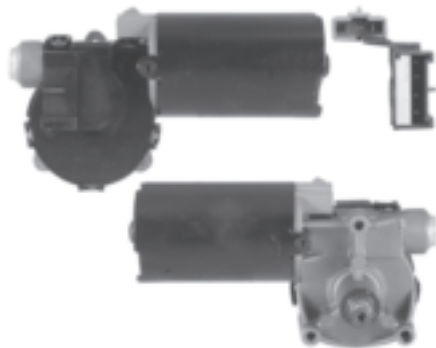
WPM269



WPM297



WPM298



WPM299



NEW WIPER MOTORS

WPM387



WPM388



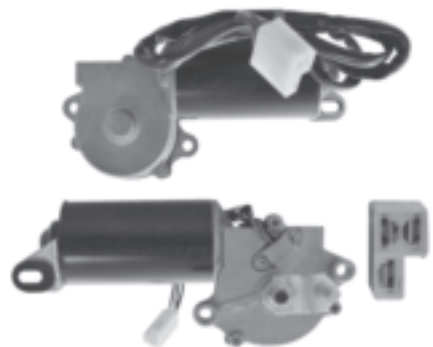
WPM432



WPM433



WPM437



WPM438



NEW WIPER MOTORS

WPM439



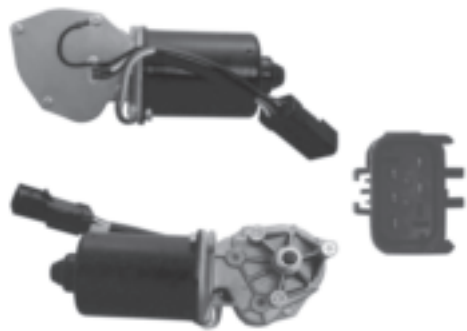
WPM440



WPM442



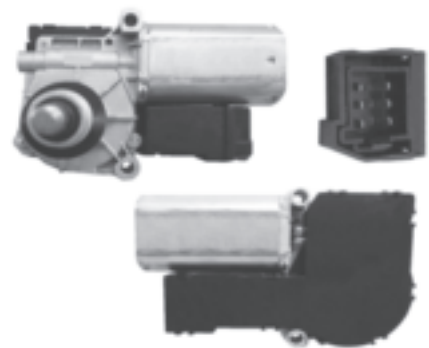
WPM443



WPM444



WPM446



NEW WIPER MOTORS

WPM450



WPM1003



WPM1004



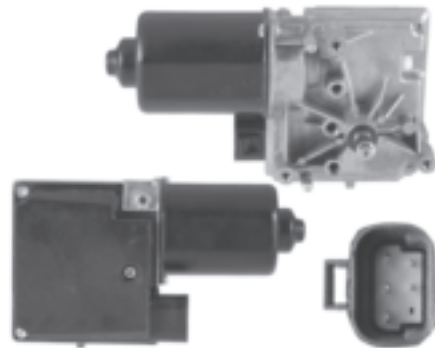
WPM1005



WPM1010

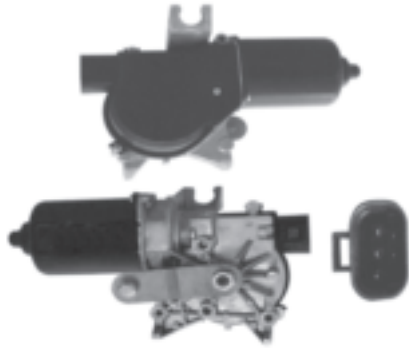


WPM1012

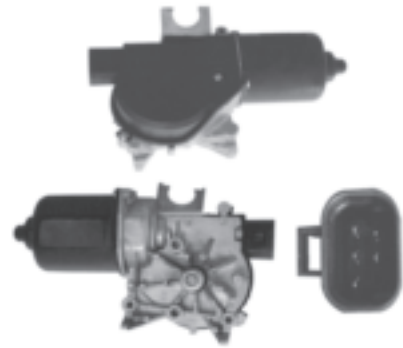


NEW WIPER MOTORS

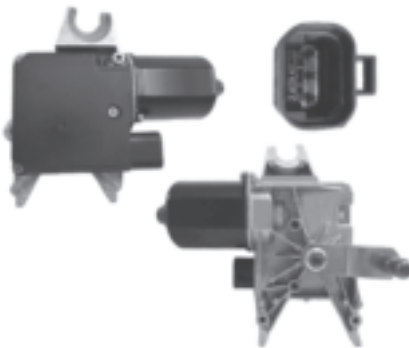
WPM1013



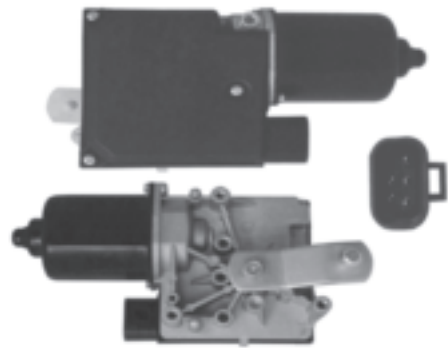
WPM1014



WPM1015



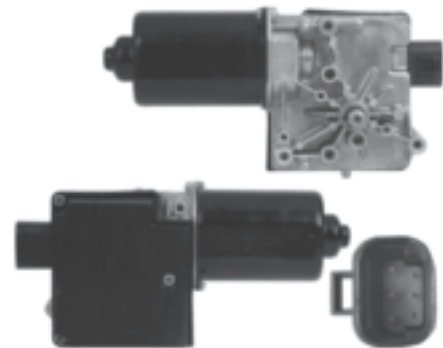
WPM1019



WPM1020

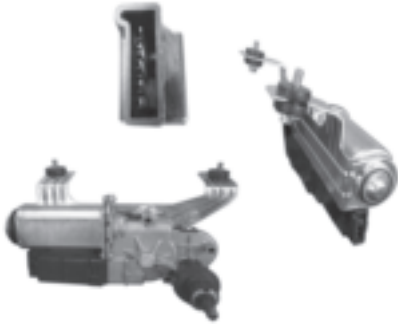


WPM1025



NEW WIPER MOTORS

WPM1026



WPM1027



WPM1029



WPM1030



WPM1035



WPM1045

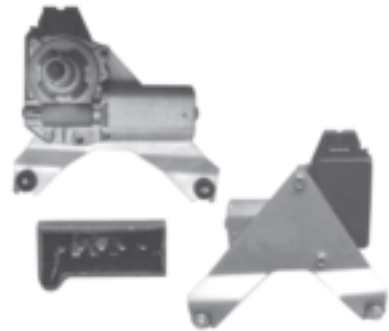


NEW WIPER MOTORS

WPM1046



WPM1049



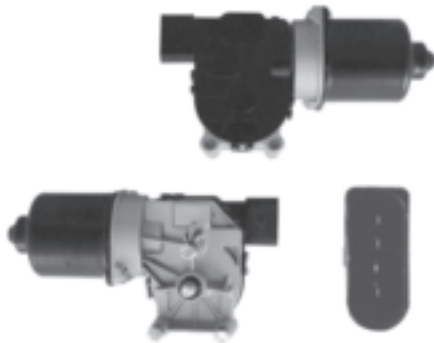
WPM1055



WPM1058



WPM1059



WPM1254

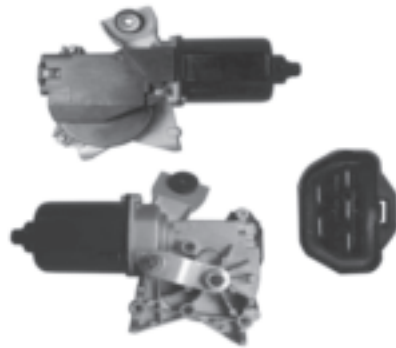


NEW WIPER MOTORS

WPM1427



WPM1428



WPM1512



WPM1513



WPM1735

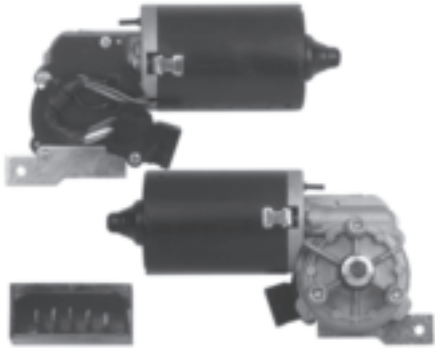


WPM1835



NEW WIPER MOTORS

WPM1836



WPM2001



WPM2002



WPM2003



WPM2005



WPM2008



NEW WIPER MOTORS

WPM2009



WPM2010



WPM2011



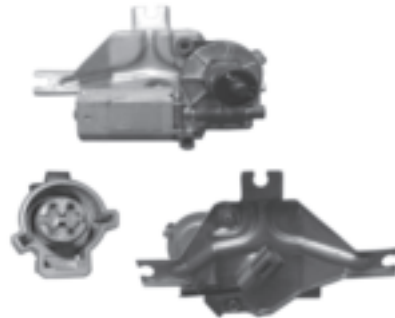
WPM2013



WPM2015



WPM2030



NEW WIPER MOTORS

WPM2033



WPM2034



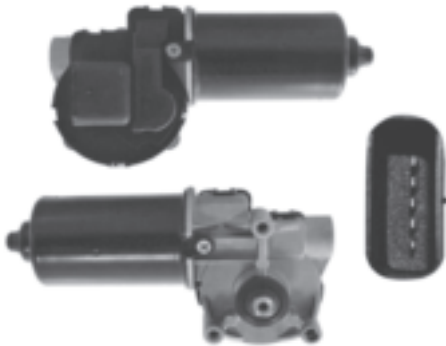
WPM2036



WPM2037



WPM2038



WPM2044



NEW WIPER MOTORS

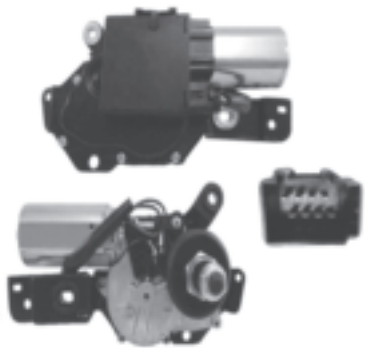
WPM2048



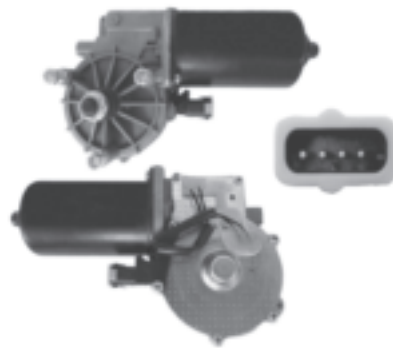
WPM2060



WPM2062



WPM2103



WPM3000



WPM3001



NEW WIPER MOTORS

WPM3009



WPM3016L



WPM3018



WPM3024



WPM3025

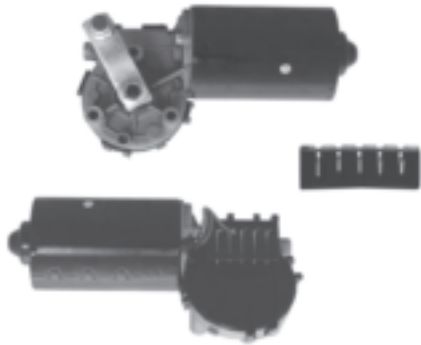


WPM3028

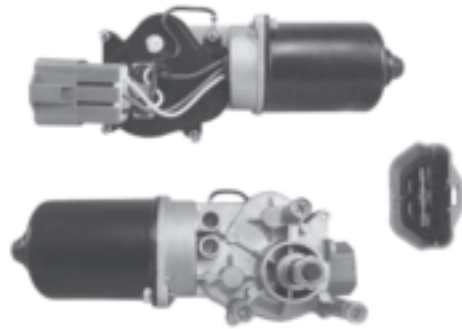


NEW WIPER MOTORS

WPM3503



WPM4000



WPM4021



WPM4028



WPM4201



WPM4307



NEW WIPER MOTORS

WPM4403



WPM6004



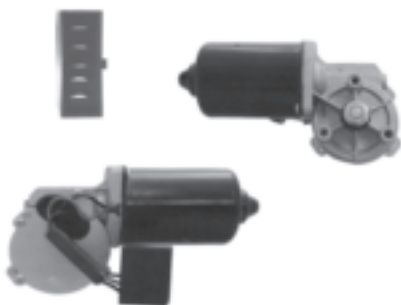
WPM6036



WPM6053



WPM8000



WPM8001



NEW WIPER MOTORS

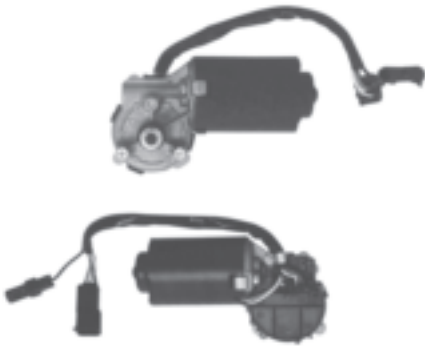
WPM8002



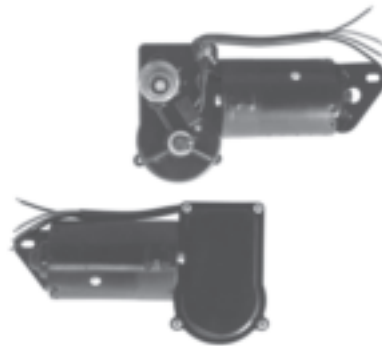
WPM8003



WPM8004



WPM8005



WPM8574



WPM85008



COMPETITOR CROSS REFERENCE

Mfg. Part No.	WPS Part No.	Mfg. Part No.	WPS Part No.	Mfg. Part No.	WPS Part No.
Autopart International WPS		Autopart International WPS		Autopart International WPS	
20146	WPM3000	227040	WPM2005	AA1401046	WPM1046
20328	WPM1735	227043	WPM2008	AA1401049	WPM1049
20452	WPM1836	227044	WPM2009	AA1401055	WPM1055
20478	WPM1512	227047	WPM2013	AA1401058	WPM1058
20631	WPM1835	227060	WPM2030	AA1401059	WPM1059
20667	WPM158	227061	WPM2033	AA140140	WPM140
20668	WPM299	227062	WPM2034	AA140154	WPM154
20669	WPM1004	227064	WPM2036	AA140158	WPM158
20670	WPM1003	227065	WPM2037	AA140162	WPM162
20671	WPM269	227066	WPM2038	AA140168	WPM168
20672	WPM191	227072	WPM2044	AA140169	WPM169
20672	WPM192	227076	WPM2048	AA140180	WPM180
20675	WPM298	227089	WPM265	AA140182	WPM182
20677	WPM1005	227090	WPM267	AA140191	WPM191
21504	WPM3503	227100	WPM3000	AA140192	WPM191
91872	WPM1427	227101	WPM3001	AA140192	WPM192
200991	WPM2010	227105	WPM3009	AA1402001	WPM2001
200993	WPM1030	227111	WPM3016L	AA1402002	WPM2002
200995	WPM450	227113	WPM3018	AA1402003	WPM2003
201448	WPM444	227116	WPM3024	AA1402005	WPM2005
223196	WPM1254	227116	WPM3028	AA1402008	WPM2008
223213	WPM1427	227117	WPM3025	AA1402009	WPM2009
223214	WPM1428	227130	WPM387	AA1402010	WPM2010
223250	WPM1735	227131	WPM388	AA1402013	WPM2013
223270	WPM6004	227137	WPM432	AA1402030	WPM2030
223280	WPM2015	227138	WPM433	AA1402033	WPM2033
223293	WPM6036	227141	WPM438	AA1402034	WPM2034
223315	WPM4000	227142	WPM439	AA1402036	WPM2036
223334	WPM4021	227143	WPM440	AA1402037	WPM2037
223339	WPM4028	227145	WPM442	AA1402038	WPM2038
223347	WPM4201	227146	WPM446	AA1402044	WPM2044
223364	WPM4307	228004	WPM1512	AA1402048	WPM2048
223390	WPM4403	228005	WPM1513	AA1402060	WPM2060
226950	WPM101	228014	WPM1835	AA1402062	WPM2062
226951	WPM1010	228015	WPM1836	AA140265	WPM265
226953	WPM1012	228024	WPM2103	AA140267	WPM267
226954	WPM1013	228037	WPM3503	AA140269	WPM269
226955	WPM1014	246115	WPM2060	AA140298	WPM298
226956	WPM1015	268140	WPM1058	AA140299	WPM299
226961	WPM1019	268198	WPM6053	AA1403000	WPM3000
226962	WPM1020	268380	WPM8574	AA1403001	WPM3001
226963	WPM1025	277344	WPM1513	AA1403009	WPM3009
226964	WPM1026	001491872	WPM1427	AA1403016L	WPM3016L
226965	WPM1027	350320146	WPM3000	AA1403018	WPM3018
226966	WPM1029	AA1401003	WPM1003	AA1403024	WPM3024
226971	WPM1035	AA1401004	WPM1004	AA1403024	WPM3028
226982	WPM1046	AA1401005	WPM1005	AA1403025	WPM3025
226985	WPM1049	AA140101	WPM101	AA140387	WPM387
226990	WPM1055	AA1401010	WPM1010	AA140388	WPM388
226994	WPM1059	AA1401012	WPM1012	AA140432	WPM432
227008	WPM140	AA1401013	WPM1013	AA140433	WPM433
227009	WPM154	AA1401014	WPM1014	AA140438	WPM438
227011	WPM162	AA1401015	WPM1015	AA140439	WPM439
227013	WPM168	AA1401019	WPM1019	AA140440	WPM440
227015	WPM169	AA1401020	WPM1020	AA140442	WPM442
227021	WPM180	AA1401025	WPM1025	AA140444	WPM444
227023	WPM182	AA1401026	WPM1026	AA140446	WPM446
227031	WPM191	AA1401027	WPM1027	AA140450	WPM450
227036	WPM2001	AA1401029	WPM1029	AA1431254	WPM1254
227037	WPM2002	AA1401030	WPM1030	AA1431427	WPM1427
227038	WPM2003	AA1401035	WPM1035	AA1431428	WPM1428

COMPETITOR CROSS REFERENCE

Mfg. Part No.	WPS Part No.	Mfg. Part No.	WPS Part No.	Mfg. Part No.	WPS Part No.
Autopart International WPS		Canadian Starter Drive - Reman WPS		Canadian Starter Drive - Reman WPS	
AA1431512	WPM1512	WIP1232	WPM140	WIP1477	WPM2044
AA1431513	WPM1513	WIP1233	WPM154	WIP1486	WPM2030
AA1431735	WPM1735	WIP1233F	WPM155	WIP1500	WPM2036
AA1431835	WPM1835	WIP1235	WPM148	WIP1504	WPM2030
AA1431836	WPM1836	WIP1238	WPM162	WIP1507	WPM2048
AA1432004	WPM6004	WIP1240	WPM168	WIP1631	WPM433
AA1432015	WPM2015	WIP1244	WPM191	WIP1634	WPM432
AA1432036	WPM6036	WIP1260	WPM1004	WIP1639	WPM439
AA1432053	WPM6053	WIP1261	WPM1003	WIP1640	WPM387
AA1432103	WPM2103	WIP1262	WPM101	WIP1641	WPM388
AA1433503	WPM3503	WIP1264	WPM1014	WIP1642	WPM440
AA1434000	WPM4000	WIP1265	WPM1010	WIP1647	WPM3001
AA1434021	WPM4021	WIP1266	WPM1019	WIP1650	WPM3000
AA1434028	WPM4028	WIP1267	WPM1012	WIP1651	WPM442
AA1434201	WPM4201	WIP1270	WPM1025	WIP1652	WPM3009
AA1434307	WPM4307	WIP1271	WPM182	WIP1656	WPM3009
AA1434403	WPM4403	WIP1273	WPM1013	WIP1658	WPM443
AA14345008	WPM85008	WIP1274	WPM169	WIP1663	WPM3001
AA1434574	WPM8574	WIP1275	WPM158	WIP1664	WPM3025
CRW431017	WPM3503	WIP1276	WPM192	WIP1686	WPM3016L
CRW431512	WPM1512	WIP1278	WPM1020	WIP1687	WPM3018
CRW431835	WPM1835	WIP1281	WPM1026	WIP1689	WPM450
CRW431836	WPM1836	WIP1283	WPM1005	WIP1695	WPM444
RBI0390241425	WPM1513	WIP1288	WPM1030	WIP1698	WPM446
Canadian Starter Drive - New . WPS		WIP1291	WPM1015	WIP1700	WPM3024
144-1260	WPM1004	WIP1292	WPM180	WIP1700	WPM3028
144-1261	WPM1003	WIP1294	WPM1035	Cardone Remanufactured WPS	
144-1264	WPM1014	WIP1295	WPM1029	40-1003	WPM1003
144-1275	WPM158	WIP1308	WPM1049	40-1004	WPM1004
144-1276	WPM192	WIP1326	WPM1058	40-1005	WPM1005
144-1281	WPM1026	WIP1330	WPM1055	40-101	WPM101
144-1283	WPM1005	WIP1334	WPM1049	40-1010	WPM1010
Canadian Starter Drive - Reman WPS		WIP1415	WPM265	40-1012	WPM1012
43-1017	WPM3503	WIP1415W	WPM265	40-1013	WPM1013
43-1067	WPM2103	WIP1416	WPM265	40-1014	WPM1014
43-1128	WPM4201	WIP1424	WPM265	40-1015	WPM1015
43-1135	WPM4028	WIP1425	WPM265	40-1019	WPM1019
43-1157	WPM4403	WIP1426	WPM298	40-1020	WPM1020
43-1262	WPM4307	WIP1433	WPM297	40-1025	WPM1025
43-1427	WPM1427	WIP1433L	WPM299	40-1026	WPM1026
43-1442	WPM4021	WIP1434	WPM267	40-1027	WPM1027
43-1450	WPM4000	WIP1435	WPM269	40-1029	WPM1029
43-1490	WPM265	WIP1436	WPM265	40-1030	WPM1030
43-1512	WPM1512	WIP1437	WPM265	40-1035	WPM1035
43-1513	WPM1513	WIP1442	WPM438	40-1045	WPM1045
43-1755	WPM6004	WIP1448	WPM2003	40-1046	WPM1046
43-1763	WPM2015	WIP1449	WPM2008	40-1049	WPM1049
43-1769	WPM2015	WIP1450	WPM2001	40-1055	WPM1055
43-1771	WPM6036	WIP1451	WPM2002	40-1058	WPM1058
43-1783	WPM6053	WIP1452	WPM2005	40-1059	WPM1059
43-1835	WPM1835	WIP1453	WPM2009	40-119	WPM119
43-1836	WPM1836	WIP1457	WPM1254	40-120	WPM120
WIP1202	WPM1046	WIP1458	WPM2010	40-121	WPM121
WIP1203	WPM1059	WIP1461	WPM2011	40-140	WPM140
WIP1209	WPM120	WIP1462	WPM2034	40-142	WPM142
WIP1209F	WPM121	WIP1463	WPM2013	40-148	WPM148
		WIP1468	WPM2037	40-154	WPM154
		WIP1470	WPM2033	40-155	WPM155
		WIP1471	WPM2038		

COMPETITOR CROSS REFERENCE

Mfg. Part No.	WPS Part No.	Mfg. Part No.	WPS Part No.	Mfg. Part No.	WPS Part No.
Cardone Remanufactured WPS		Cardone Remanufactured WPS		Cardone Select WPS	
40-158	WPM158	43-1835	WPM1835	85-3001	WPM3001
40-162	WPM162	43-1836	WPM1836	85-3009	WPM3009
40-168	WPM168	43-2004	WPM6004	85-3024	WPM3024
40-169	WPM169	43-2015	WPM2015	85-3025	WPM3025
40-180	WPM180	43-2036	WPM6036	85-3028	WPM3028
40-182	WPM182	43-2053	WPM6053	85-3503	WPM3503
40-190	WPM190	43-2103	WPM2103	85-387	WPM387
40-191	WPM191	43-3503	WPM3503	85-388	WPM388
40-192	WPM192	43-4000	WPM4000	85-4000	WPM4000
40-2001	WPM2001	43-4021	WPM4021	85-4201	WPM4201
40-2002	WPM2002	43-4028	WPM4028	85-4307	WPM4307
40-2003	WPM2003	43-4201	WPM4201	85-432	WPM432
40-2005	WPM2005	43-4307	WPM4307	85-433	WPM433
40-2008	WPM2008	43-4403	WPM4403	85-437	WPM437
40-2009	WPM2009	43-45008	WPM85008	85-438	WPM438
40-2010	WPM2010	43-4574	WPM8574	85-440	WPM440
40-2011	WPM2011			85-440	WPM4403
40-2013	WPM2013	Cardone Select WPS		85-442	WPM442
40-2030	WPM2030	85-1003	WPM1003	85-444	WPM444
40-2033	WPM2033	85-1004	WPM1004	85-446	WPM446
40-2034	WPM2034	85-1005	WPM1005	85-450	WPM450
40-2036	WPM2036	85-1012	WPM1012	85-45008	WPM85008
40-2037	WPM2037	85-1014	WPM1014	85-4574	WPM8574
40-2038	WPM2038	85-1019	WPM1019		
40-2044	WPM2044	85-1020	WPM1020	Dorman Products WPS	
40-2048	WPM2048	85-1025	WPM1025	601-100	WPM169
40-2060	WPM2060	85-1026	WPM1026	601-101	WPM158
40-2062	WPM2062	85-1027	WPM1027	601-102	WPM1004
40-265	WPM265	85-1029	WPM1029	601-103	WPM1003
40-267	WPM267	85-1030	WPM1030	601-104	WPM192
40-269	WPM269	85-1035	WPM1035	601-108	WPM180
40-297	WPM297	85-1045	WPM1045	601-115	WPM1030
40-298	WPM298	85-1046	WPM1046	601-117	WPM1010
40-299	WPM299	85-1049	WPM1049	601-118	WPM1014
40-3000	WPM3000	85-1055	WPM1055	601-119	WPM1005
40-3001	WPM3001	85-1058	WPM1058	601-121	WPM1012
40-3009	WPM3009	85-119	WPM119	601-122	WPM1025
40-3016L	WPM3016L	85-120	WPM120	601-123	WPM1026
40-3018	WPM3018	85-140	WPM140	601-201	WPM299
40-3024	WPM3024	85-1512	WPM1512	601-203	WPM269
40-3025	WPM3025	85-1513	WPM1513	601-205	WPM2010
40-3028	WPM3028	85-154	WPM154	601-206	WPM2005
40-387	WPM387	85-155	WPM155	601-300	WPM388
40-388	WPM388	85-158	WPM158	601-301	WPM387
40-432	WPM432	85-169	WPM169	601-303	WPM3000
40-433	WPM433	85-180	WPM180	601-304	WPM3001
40-437	WPM437	85-182	WPM182	601-400	WPM1835
40-438	WPM438	85-1835	WPM1835		
40-439	WPM439	85-1836	WPM1836		
40-440	WPM440	85-190	WPM190		
40-442	WPM442	85-192	WPM192		
40-443	WPM443	85-2005	WPM2005		
40-444	WPM444	85-2010	WPM2010		
40-446	WPM446	85-2013	WPM2013		
40-450	WPM450	85-2036	WPM2036		
43-1254	WPM1254	85-2036	WPM6036		
43-1427	WPM1427	85-2038	WPM2038		
43-1428	WPM1428	85-2053	WPM6053		
43-1512	WPM1512	85-299	WPM299		
43-1513	WPM1513	85-3000	WPM3000		
43-1735	WPM1735				

NUMERICAL LISTING

WPS No.	Loc	Application	Year	WPS No.	Loc	Application	Year		
WPM101	F	SATURN SC	1992-91	WPM119 (New)	F	JEEP J-2500	1966-63		
	F	SATURN SC1	2000-93		F	JEEP JEEPSTER	1966		
	F	SATURN SC2	2000-93		F	OLDSMOBILE CUTLASS	1965-64		
	F	SATURN SL	2000-91		F	OLDSMOBILE F85	1965-64		
	F	SATURN SL1	2000-91		F	PONTIAC GTO	1967-64		
	F	SATURN SL2	2000-91		F	PONTIAC LEMANS	1967-64		
	F	SATURN SW1	1999-93		F	PONTIAC TEMPEST	1967-64		
	F	SATURN SW2	2000-93		WPM120 (New)	F	BUICK SKYLARK	1967-64	
	WPM119 (New)	F	BUICK SKYLARK			1967-64	F	BUICK SPECIAL	1967-64
		F	BUICK SPECIAL			1967-64	F	CHEVROLET CAMARO	1967
F		CHEVROLET C10 PICKUP	1968-63	F		CHEVROLET CHEVELLE	1967		
F		CHEVROLET C10 SUBURBAN	1968	F		CHEVROLET CHEVY II	1967-63		
F		CHEVROLET C20 PICKUP	1968-63	F		CHEVROLET CORVAIR	1969-63		
F		CHEVROLET C20 SUBURBAN	1968	F		CHEVROLET EL CAMINO	1967		
F		CHEVROLET C30 PICKUP	1968-63	F		CHEVROLET MALIBU	1967		
F		CHEVROLET CHEVELLE	1966-64	F		CHEVROLET NOVA	1967-63		
F		CHEVROLET CHEVY II	1967-63	F		CHEVROLET NOVA	1967-63		
F		CHEVROLET CORVAIR	1969-63	F	CHEVROLET T40	1968-63			
F	CHEVROLET EL CAMINO	1966-64	F	GMC T40	1968-63				
F	CHEVROLET G10 VAN	1969-64	F	OLDSMOBILE CUTLASS	1967-65				
F	CHEVROLET G20 VAN	1969-67	F	OLDSMOBILE F85	1967-65				
F	CHEVROLET K10 PICKUP	1968-63	F	PONTIAC FIREBIRD	1967				
F	CHEVROLET K10 SUBURBAN	1968	F	PONTIAC GTO	1967-64				
F	CHEVROLET K20 PICKUP	1968-63	F	PONTIAC LEMANS	1967-64				
F	CHEVROLET K20 SUBURBAN	1968	F	PONTIAC TEMPEST	1967-64				
F	CHEVROLET K30 PICKUP	1968	WPM121 (New)	F	BUICK SKYLARK	1967-64			
F	CHEVROLET MALIBU	1966-64		F	BUICK SPECIAL	1967-64			
F	CHEVROLET NOVA	1967-63		F	CHEVROLET CAMARO	1967			
F	CHEVROLET P10 SERIES	1966-63		F	CHEVROLET CHEVELLE	1967			
F	CHEVROLET P10 VAN	1968-67		F	CHEVROLET CHEVY II	1967-63			
F	CHEVROLET P20 SERIES	1967-63		F	CHEVROLET CORVAIR	1969-63			
F	CHEVROLET P20 VAN	1968		F	CHEVROLET EL CAMINO	1967			
F	CHEVROLET P30 SERIES	1967-63		F	CHEVROLET MALIBU	1967			
F	CHEVROLET P30 VAN	1968		F	CHEVROLET NOVA	1967-63			
F	CHEVROLET SUBURBAN	1967-63		F	CHEVROLET T40	1968-63			
F	CHEVROLET T40	1967-63	F	GMC T40	1968-63				
F	GMC 1000 SERIES	1965-63	F	OLDSMOBILE CUTLASS	1967-65				
F	GMC 1500 SERIES	1965-63	F	OLDSMOBILE F85	1967-65				
F	GMC 2500 SERIES	1965-63	F	PONTIAC FIREBIRD	1967				
F	GMC C15/C1500 PICKUP	1968-66	F	PONTIAC GTO	1967-64				
F	GMC C15/C1500 SUBURBAN	1968	F	PONTIAC LEMANS	1967-64				
F	GMC C25/C2500 PICKUP	1968-66	F	PONTIAC TEMPEST	1967-64				
F	GMC C25/C2500 SUBURBAN	1968	WPM140 (New)	F	BUICK APOLLO	1975-73			
F	GMC C35/C3500 PICKUP	1968-67		F	BUICK SKYHAWK	1980-75			
F	GMC G1000 SERIES	1966-64		F	BUICK SKYLARK	1979-68			
F	GMC G15/G1500 VAN	1969-67		F	BUICK SPECIAL	1969-68			
F	GMC G25/G2500 VAN	1969-67		F	CHEVROLET CAMARO	1978-68			
F	GMC G35/G3500 VAN	1967		F	CHEVROLET CHEVELLE	1972-66			
F	GMC K15/K1500 PICKUP	1968-66		F	CHEVROLET CHEVETTE	1987-76			
F	GMC K15/K1500 SUBURBAN	1968		F	CHEVROLET CHEVY II	1968			
F	GMC K25/K2500 PICKUP	1968-67		F	CHEVROLET EL CAMINO	1972-68			
F	GMC K25/K2500 SUBURBAN	1968		F	CHEVROLET MONTE CARLO	1972-70			
F	GMC K35/K3500 PICKUP	1968-67	F	CHEVROLET MONZA	1980-75				
F	GMC P15/P1500 VAN	1968-67	F	CHEVROLET NOVA	1979-68				
F	GMC P25/P2500 VAN	1968-66	F	CHEVROLET VEGA	1977-71				
F	GMC P35/P3500 VAN	1968-66	F	GMC SPRINT	1972-71				
F	GMC PB1000 SERIES	1965-63	F	OLDSMOBILE CUTLASS SUPREME	1972-71				
F	GMC PB15 SERIES	1966	F	OLDSMOBILE F85	1972-68				
F	GMC PB25 SERIES	1966	F	OLDSMOBILE OMEGA	1979-73				
F	GMC PB2500 SERIES	1963	F	OLDSMOBILE STARFIRE	1980-75				
F	GMC SUBURBAN	1967-63	F	PONTIAC ACADIAN	1987-82				
F	GMC T40	1968-63	F	PONTIAC ASTRE	1977-75				
F	JEEP J-100	1966-63	F	PONTIAC FIREBIRD	1978-68				
				F	PONTIAC GTO	1971-68			

(New) denotes New Part Number

NUMERICAL LISTING

WPS No.	Loc	Application	Year	WPS No.	Loc	Application	Year
WPM140 (New)	F	PONTIAC LEMANS	1972-68	WPM154 (New)	F	CHEVROLET K30 PICKUP	1972-68
	F	PONTIAC PHOENIX	1979-77		F	CHEVROLET P10	1980-75
	F	PONTIAC SUNBIRD	1980-76		F	CHEVROLET P10 SERIES	1966-63
	F	PONTIAC T1000	1987-81		F	CHEVROLET P10 VAN	1974-67
	F	PONTIAC TEMPEST	1970-68		F	CHEVROLET P20	1988-75
	F	PONTIAC VENTURA	1977-71		F	CHEVROLET P20 SERIES	1967-63
	WPM142 (New)	F	BUICK CENTURY		1973	F	CHEVROLET P20 VAN
F		BUICK ELECTRA	1973-68	F	CHEVROLET P30	1991-75	
F		BUICK ESTATE WAGON	1973	F	CHEVROLET P30 SERIES	1967-63	
F		BUICK LESABRE	1973-68	F	CHEVROLET P30 VAN	1974-68	
F		BUICK REGAL	1973	F	CHEVROLET SUBURBAN	1967-63	
F		BUICK RIVIERA	1973-68	F	GMC 1000 SERIES	1965-63	
F		BUICK SKYLARK	1972-68	F	GMC 1500 SERIES	1965-63	
F		BUICK SPECIAL	1969-68	F	GMC 2500 SERIES	1963	
F		CADILLAC CALAIS	1973-68	F	GMC B6000	1982-80	
F		CADILLAC COMMERCIAL CHASSIS	1973-68	F	GMC C15/C1500 PICKUP	1972-66	
F		CADILLAC DEVILLE	1973-68	F	GMC C15/C1500 SUBURBAN	1972-68	
F		CADILLAC ELDORADO	1973-68	F	GMC C25/C2500 PICKUP	1972-66	
F		CADILLAC FLEETWOOD	1973-66	F	GMC C25/C2500 SUBURBAN	1972-68	
F		CHEVROLET BEL AIR	1973-72	F	GMC C35/C3500 PICKUP	1972-68	
F		CHEVROLET BISCAYNE	1972	F	GMC G1000 SERIES	1966-64	
F		CHEVROLET CAMARO	1973-68	F	GMC G15/G1500 VAN	1969-67	
F		CHEVROLET CAPRICE	1973-72	F	GMC G25/G2500 VAN	1969-67	
F		CHEVROLET CHEVELLE	1973-69	F	GMC G35/G3500 VAN	1967	
F		CHEVROLET CORVETTE	1973	F	GMC JIMMY	1972-70	
F		CHEVROLET EL CAMINO	1973-69	F	GMC K15/K1500 PICKUP	1972-66	
F		CHEVROLET IMPALA	1973-72	F	GMC K15/K1500 SUBURBAN	1972-68	
F		CHEVROLET MALIBU	1973	F	GMC K25/K2500 PICKUP	1972-67	
F		CHEVROLET MONTE CARLO	1973-70	F	GMC K25/K2500 SUBURBAN	1972-68	
F		GMC SPRINT	1973-70	F	GMC K35/K3500 PICKUP	1972-67	
F		OLDSMOBILE 98	1973-68	F	GMC P15	1978-75	
F		OLDSMOBILE CUSTOM CRUISER	1973-71	F	GMC P15/P1500 VAN	1974-67	
F		OLDSMOBILE CUTLASS	1973-68	F	GMC P25	1978-75	
F		OLDSMOBILE CUTLASS SUPREME	1973-71	F	GMC P25/P2500 VAN	1974-66	
F		OLDSMOBILE DELTA 88	1973-68	F	GMC P2500	1989-79	
F		OLDSMOBILE F85	1972-68	F	GMC P35	1978-75	
F		OLDSMOBILE TORONADO	1973-68	F	GMC P35/P3500 VAN	1974-66	
F		PONTIAC BONNEVILLE	1973-68	F	GMC P3500	1991-79	
F		PONTIAC CATALINA	1973-68	F	GMC PB1000 SERIES	1965-63	
F		PONTIAC FIREBIRD	1973-68	F	GMC PB15 SERIES	1966	
F		PONTIAC GRAND AM	1973	F	GMC PB25 SERIES	1966	
F	PONTIAC GRAND PRIX	1973-68	F	GMC PB2500 SERIES	1965-63		
F	PONTIAC GTO	1971-68	F	GMC SUBURBAN	1967-63		
F	PONTIAC LEMANS	1973-68	F	JEEP CHEROKEE	1978-74		
F	PONTIAC TEMPEST	1970-68	F	JEEP J10	1978-74		
F	PONTIAC VENTURA	1972-71	F	JEEP J-100	1971-63		
WPM148 (New)	F	CHEVROLET BEL AIR	1971-68	F	JEEP J-200	1978-74	
	F	CHEVROLET BISCAYNE	1971-68	F	JEEP J-2500	1973-63	
	F	CHEVROLET CAPRICE	1971-68	F	JEEP J-2600	1973-68	
	F	CHEVROLET IMPALA	1971-68	F	JEEP J-2700	1970-68	
WPM154 (New)	F	CHEVROLET B60	1982-80	F	JEEP J-2800	1968	
	F	CHEVROLET BLAZER	1972-69	F	JEEP J-3500	1970-68	
	F	CHEVROLET C10 PICKUP	1972-63	F	JEEP J-3600	1970-68	
	F	CHEVROLET C10 SUBURBAN	1972-68	F	JEEP J-3700	1970-68	
	F	CHEVROLET C20 PICKUP	1972-63	F	JEEP J-3800	1970-68	
	F	CHEVROLET C20 SUBURBAN	1972-68	F	JEEP JEEPSTER	1973-66	
	F	CHEVROLET C30 PICKUP	1972-63	F	JEEP WAGONEER	1978-63	
	F	CHEVROLET G10 VAN	1969-64	WPM155 (New)	F	CHEVROLET B60	1982-80
	F	CHEVROLET G20 VAN	1969-67		F	CHEVROLET BLAZER	1972-69
	F	CHEVROLET K10 PICKUP	1972-63		F	CHEVROLET C10 PICKUP	1972-63
	F	CHEVROLET K10 SUBURBAN	1972-68		F	CHEVROLET C10 SUBURBAN	1972-68
	F	CHEVROLET K20 PICKUP	1972-63		F	CHEVROLET C20 PICKUP	1972-63
	F	CHEVROLET K20 SUBURBAN	1972-68		F	CHEVROLET C20 SUBURBAN	1972-68

(New) denotes New Part Number

NUMERICAL LISTING

WPS No.	Loc	Application	Year
WPM155 (New)	F	CHEVROLET C30 PICKUP	1972-63
	F	CHEVROLET G10 VAN	1969-64
	F	CHEVROLET G20 VAN	1969-67
	F	CHEVROLET K10 PICKUP	1972-63
	F	CHEVROLET K10 SUBURBAN	1972-68
	F	CHEVROLET K20 PICKUP	1972-63
	F	CHEVROLET K20 SUBURBAN	1972-68
	F	CHEVROLET K30 PICKUP	1972-68
	F	CHEVROLET P10	1980-75
	F	CHEVROLET P10 SERIES	1966-63
	F	CHEVROLET P10 VAN	1974-67
	F	CHEVROLET P20	1988-75
	F	CHEVROLET P20 SERIES	1967-63
	F	CHEVROLET P20 VAN	1974-68
	F	CHEVROLET P30	1991-75
	F	CHEVROLET P30 SERIES	1967-63
	F	CHEVROLET P30 VAN	1974-68
	F	CHEVROLET SUBURBAN	1967-63
	F	GMC 1000 SERIES	1965-63
	F	GMC 1500 SERIES	1965-63
	F	GMC 2500 SERIES	1963
	F	GMC B6000	1982-80
	F	GMC C15/C1500 PICKUP	1972-66
	F	GMC C15/C1500 SUBURBAN	1972-68
	F	GMC C25/C2500 PICKUP	1972-66
	F	GMC C25/C2500 SUBURBAN	1972-68
	F	GMC C35/C3500 PICKUP	1972-68
	F	GMC G1000 SERIES	1966-64
	F	GMC G15/G1500 VAN	1969-67
	F	GMC G25/G2500 VAN	1969-67
	F	GMC G35/G3500 VAN	1967
	F	GMC JIMMY	1972-70
	F	GMC K15/K1500 PICKUP	1972-66
	F	GMC K15/K1500 SUBURBAN	1972-68
	F	GMC K25/K2500 PICKUP	1972-67
	F	GMC K25/K2500 SUBURBAN	1972-68
	F	GMC K35/K3500 PICKUP	1972-67
	F	GMC P15	1978-75
	F	GMC P15/P1500 VAN	1974-67
	F	GMC P25	1978-75
	F	GMC P25/P2500 VAN	1974-66
	F	GMC P2500	1989-79
	F	GMC P35	1978-75
	F	GMC P35/P3500 VAN	1974-66
	F	GMC P3500	1991-79
	F	GMC PB1000 SERIES	1965-63
	F	GMC PB15 SERIES	1966
	F	GMC PB25 SERIES	1966
	F	GMC PB2500 SERIES	1965-63
	F	GMC SUBURBAN	1967-63
	F	JEEP CHEROKEE	1978-74
	F	JEEP J10	1978-74
	F	JEEP J-100	1971-63
	F	JEEP J20	1978-74
	F	JEEP J-2500	1973-63
	F	JEEP J-2600	1973-68
	F	JEEP J-2700	1970-68
	F	JEEP J-2800	1968
	F	JEEP J-3500	1970-68
	F	JEEP J-3600	1970-68
	F	JEEP J-3700	1970-68
	F	JEEP J-3800	1970-68
	F	JEEP JEEPSTER	1973-66

WPS No.	Loc	Application	Year
WPM155 (New)	F	JEEP WAGONEER	1978-63
WPM158	F	CADILLAC ESCALADE	2000-99
	F	CHEVROLET BLAZER	1994-92
	F	CHEVROLET C1500	1999-91
	F	CHEVROLET C1500 SUBURBAN	1999-92
	F	CHEVROLET C2500	2000-91
	F	CHEVROLET C2500 SUBURBAN	1999-92
	F	CHEVROLET C3500	2002-91
	F	CHEVROLET C3500HD	2002-01
	F	CHEVROLET C60 KODIAK	1996-90
	F	CHEVROLET C6500 KODIAK	2002-97
	F	CHEVROLET C70 KODIAK	1996-90
	F	CHEVROLET C7500 KODIAK	2002-97
	F	CHEVROLET K1500	1999-91
	F	CHEVROLET K1500 SUBURBAN	1999-92
	F	CHEVROLET K2500	2000-91
	F	CHEVROLET K2500 SUBURBAN	1999-92
	F	CHEVROLET K3500	2000-91
	F	CHEVROLET P30	1993-91
	F	CHEVROLET TAHOE	2000
	F	CHEVROLET TAHOE	1999-95
	F	GMC C1500	1999-91
	F	GMC C1500 SUBURBAN	1999-92
	F	GMC C2500	2000-91
	F	GMC C2500 SUBURBAN	1999-92
	F	GMC C3500	2002-91
	F	GMC C3500HD	2001
	F	GMC C5000 TOPKICK	1991-90
	F	GMC C5500 TOPKICK	2002-90
	F	GMC C6000 TOPKICK	1996-90
	F	GMC C6500 TOPKICK	2002-97
	F	GMC C7000 TOPKICK	1996-90
	F	GMC C7500 TOPKICK	2002-97
	F	GMC K1500	1999-91
	F	GMC K1500 SUBURBAN	1999-92
	F	GMC K2500	2000-91
	F	GMC K2500 SUBURBAN	1999-92
	F	GMC K3500	2000-91
	F	GMC P3500	1993-91
	F	GMC YUKON	1999-92
WPM162 (New)	F	BUICK CENTURY	1983-73
	F	BUICK ELECTRA	1989-73
	F	BUICK ESTATE WAGON	1979-73
	F	BUICK LESABRE	1989-73
	F	BUICK REGAL	1983-73
	F	BUICK RIVIERA	1985-73
	F	CADILLAC BROUGHAM	1989-87
	F	CADILLAC CALAIS	1976-73
	F	CADILLAC COMMERCIAL CHASSIS	1984-73
	F	CADILLAC DEVILLE	1984-73
	F	CADILLAC ELDORADO	1978-73
	F	CADILLAC FLEETWOOD	1986-73
	F	CHEVROLET BEL AIR	1975-73
	F	CHEVROLET CAMARO	1983-73
	F	CHEVROLET CAPRICE	1990-73
	F	CHEVROLET CELEBRITY	1983-82
	F	CHEVROLET CHEVELLE	1973
	F	CHEVROLET CORVETTE	1982-73
	F	CHEVROLET EL CAMINO	1983-73
	F	CHEVROLET IMPALA	1985-73
	F	CHEVROLET MALIBU	1983-73
	F	CHEVROLET MONTE CARLO	1983-73
	F	CHEVROLET T6	1976-75

(New) denotes New Part Number

NUMERICAL LISTING

WPS No.	Loc	Application	Year	WPS No.	Loc	Application	Year	
WPM162 (New)	F	GMC CABALLERO	1983-78	WPM169	F	CHEVROLET C1500	1999-91	
	F	GMC SPRINT	1977-73		F	CHEVROLET C1500 SUBURBAN	1999-92	
	F	GMC T6	1976-75		F	CHEVROLET C2500	2000-91	
	F	OLDSMOBILE 98	1984-73		F	CHEVROLET C2500 SUBURBAN	1999-92	
	F	OLDSMOBILE CUSTOM CRUISER	1990-73		F	CHEVROLET C3500	2000-91	
	F	OLDSMOBILE CUTLASS	1981-73		F	CHEVROLET C60 KODIAK	1996-90	
	F	OLDSMOBILE CUTLASS CIERA	1983-82		F	CHEVROLET C6500 KODIAK	2001-97	
	F	OLDSMOBILE CUTLASS SUPREME	1983-73		F	CHEVROLET C70 KODIAK	1996-90	
	F	OLDSMOBILE DELTA 88	1985-73		F	CHEVROLET C7500 KODIAK	2001-97	
	F	OLDSMOBILE TORONADO	1985-73		F	CHEVROLET K1500	1999-91	
	F	PONTIAC 6000	1983-82		F	CHEVROLET K1500 SUBURBAN	1999-92	
	F	PONTIAC BONNEVILLE	1983-73		F	CHEVROLET K2500	2000-91	
	F	PONTIAC CATALINA	1981-73		F	CHEVROLET K2500 SUBURBAN	1999-92	
	F	PONTIAC FIREBIRD	1983-73		F	CHEVROLET K3500	2000-91	
	F	PONTIAC GRAND AM	1980-73		F	CHEVROLET P30	1993-91	
	F	PONTIAC GRAND PRIX	1983-73		F	CHEVROLET TAHOE	2000-95	
	F	PONTIAC GRAND SAFARI	1975		F	GMC C1500	1999-91	
	F	PONTIAC LEMANS	1981-73		F	GMC C1500 SUBURBAN	1999-92	
	F	PONTIAC PARISIENNE	1986-82		F	GMC C2500	2000-91	
	F	PONTIAC SAFARI	1989-87		F	GMC C2500 SUBURBAN	1999-92	
	WPM168 (New)	F	BUICK CENTURY		1983-74	F	GMC C3500	2000-91
		F	BUICK ELECTRA		1989-75	F	GMC C5000 TOPKICK	1991-90
		F	BUICK ESTATE WAGON		1979-74	F	GMC C5500 TOPKICK	1991-90
		F	BUICK LESABRE		1990-75	F	GMC C6000 TOPKICK	1996-90
		F	BUICK REGAL		1983-75	F	GMC C6500 TOPKICK	2002-97
		F	BUICK RIVIERA		1985-75	F	GMC C7000 TOPKICK	1996-90
		F	CADILLAC BROUGHAM		1992-87	F	GMC C7500 TOPKICK	2002-97
		F	CADILLAC CALAIS		1976-75	F	GMC K1500	1999-91
		F	CADILLAC COMMERCIAL CHASSIS		1984-75	F	GMC K1500 SUBURBAN	1999-92
		F	CADILLAC DEVILLE		1984-75	F	GMC K2500	2000-91
		F	CADILLAC ELDORADO		1978-75	F	GMC K2500 SUBURBAN	1999-92
		F	CADILLAC FLEETWOOD		1986-75	F	GMC K3500	2000-91
		F	CADILLAC SEVILLE		1985-76	F	GMC P3500	1993-91
F		CHEVROLET BEL AIR	1975	F	GMC YUKON	1999-92		
F		CHEVROLET CAMARO	1983-77	WPM180	F	CHEVROLET C10	1984-78	
F		CHEVROLET CAPRICE	1990-75		F	CHEVROLET C10 SUBURBAN	1984-78	
F		CHEVROLET CELEBRITY	1983-82		F	CHEVROLET C20	1984-78	
F		CHEVROLET EL CAMINO	1983-75		F	CHEVROLET C20 SUBURBAN	1984-78	
F		CHEVROLET IMPALA	1985-75		F	CHEVROLET C30	1984-78	
F		CHEVROLET MALIBU	1983-75		F	CHEVROLET C50	1987-83	
F		CHEVROLET MONTE CARLO	1983-75		F	CHEVROLET C60	1987-83	
F		CHEVROLET T6	1976-75		F	CHEVROLET C70	1987-83	
F		GMC CABALLERO	1983-78		F	CHEVROLET G10	1982-78	
F		GMC SPRINT	1977-75		F	CHEVROLET G20	1982-78	
F		OLDSMOBILE 98	1984-75		F	CHEVROLET G30	1982-78	
F		OLDSMOBILE CUSTOM CRUISER	1990-75		F	CHEVROLET K10	1984-78	
F		OLDSMOBILE CUTLASS	1981-74		F	CHEVROLET K10 SUBURBAN	1984-78	
F		OLDSMOBILE CUTLASS CIERA	1983-82		F	CHEVROLET K20	1984-78	
F		OLDSMOBILE CUTLASS SUPREME	1983-74		F	CHEVROLET K20 SUBURBAN	1984-78	
F		OLDSMOBILE DELTA 88	1985-75		F	CHEVROLET K30	1984-78	
F		OLDSMOBILE TORONADO	1985-75		F	CHEVROLET K5 BLAZER	1984-78	
F		PONTIAC 6000	1983-82		F	GMC C15	1978	
F		PONTIAC BONNEVILLE	1983-75		F	GMC C15 SUBURBAN	1978	
F	PONTIAC CATALINA	1981-75	F		GMC C1500	1984-79		
F	PONTIAC FIREBIRD	1983-78	F		GMC C1500 SUBURBAN	1984-79		
F	PONTIAC GRAND AM	1980-75	F		GMC C25	1978		
F	PONTIAC GRAND PRIX	1983-75	F		GMC C25 SUBURBAN	1978		
F	PONTIAC GRAND SAFARI	1975	F		GMC C2500	1984-79		
F	PONTIAC LEMANS	1981-75	F		GMC C2500 SUBURBAN	1984-79		
F	PONTIAC PARISIENNE	1986-82	F		GMC C35	1978		
F	PONTIAC SAFARI	1989-87	F		GMC C3500	1984-79		
WPM169	F	CADILLAC ESCALADE	2000-99		F	GMC C5000	1987-83	
	F	CHEVROLET BLAZER	1994-92		F	GMC C6000	1987-83	

(New) denotes New Part Number

NUMERICAL LISTING

WPS No.	Loc	Application	Year	WPS No.	Loc	Application	Year		
WPM180	F	GMC C7000	1987-83	WPM182	F	GMC K3500	1986-85		
	F	GMC G15	1978		F	GMC R1500	1987		
	F	GMC G1500	1982-79		F	GMC R1500 SUBURBAN	1991-87		
	F	GMC G25	1978		F	GMC R2500	1989-87		
	F	GMC G2500	1982-79		F	GMC R2500 SUBURBAN	1991-87		
	F	GMC G35	1978		F	GMC R3500	1991-87		
	F	GMC G3500	1982-79		F	GMC V1500	1987		
	F	GMC JIMMY	1984-78		F	GMC V1500 SUBURBAN	1991-87		
	F	GMC K15	1978		F	GMC V2500	1987		
	F	GMC K15 SUBURBAN	1978		F	GMC V2500 SUBURBAN	1991-87		
	F	GMC K1500	1984-79		F	GMC V3500	1991-87		
	F	GMC K1500 SUBURBAN	1984-79		WPM190 (New)	F	BUICK SKYHAWK	1989-82	
	F	GMC K25	1978			F	CADILLAC CIMARRON	1988-82	
	F	GMC K25 SUBURBAN	1978			F	CHEVROLET ASTRO	1990-85	
	F	GMC K2500	1984-79			F	CHEVROLET CAVALIER	1994-82	
	F	GMC K2500 SUBURBAN	1984-79			F	CHEVROLET S10 BLAZER	1994-83	
	F	GMC K35	1978			F	CHEVROLET S10 PICKUP	1993-82	
	F	GMC K3500	1984-79			F	GMC S15 JIMMY	1991-83	
	WPM182	F	CHEVROLET BLAZER			1991-87	F	GMC S15 PICKUP	1990-82
		F	CHEVROLET C10			1986-85	F	GMC SAFARI	1990-85
		F	CHEVROLET C10 SUBURBAN			1986-85	F	GMC SONOMA	1993-91
		F	CHEVROLET C20			1986-85	F	GMC SYCLONE	1991
		F	CHEVROLET C20 SUBURBAN			1986-85	F	GMC TYPHOON	1993-92
		F	CHEVROLET C30			1986-85	F	OLDSMOBILE BRAVADA	1993-91
		F	CHEVROLET G10			1991-83	F	OLDSMOBILE FIRENZA	1988-82
		F	CHEVROLET G20			1991-83	F	PONTIAC FIERO	1988-84
		F	CHEVROLET G30			1991-83	F	PONTIAC J2000	1983-82
		F	CHEVROLET K10		1986-85	F	PONTIAC J2000 SUNBIRD	1985-84	
		F	CHEVROLET K10 SUBURBAN		1986-85	F	PONTIAC SUNBIRD	1994-86	
		F	CHEVROLET K20		1986-85	F	PONTIAC TEMPEST	1991-87	
		F	CHEVROLET K20 SUBURBAN		1986-85	WPM191	F	BUICK SKYHAWK	1989-84
		F	CHEVROLET K30		1986-85		F	CADILLAC CIMARRON	1988-84
F		CHEVROLET K5 BLAZER	1986-85	F	CHEVROLET ASTRO		1993-85		
F		CHEVROLET R10	1987	F	CHEVROLET CAVALIER		1994-84		
F		CHEVROLET R10 SUBURBAN	1988-87	F	CHEVROLET S10 BLAZER		1994-85		
F		CHEVROLET R1500 SUBURBAN	1991-89	F	CHEVROLET S10 PICKUP		1993-85		
F		CHEVROLET R20	1988-87	F	GMC JIMMY		1994-92		
F		CHEVROLET R20 SUBURBAN	1988-87	F	GMC S15 JIMMY		1991-85		
F		CHEVROLET R2500	1989	F	GMC S15 PICKUP		1990-85		
F		CHEVROLET R2500 SUBURBAN	1991-89	F	GMC SAFARI		1993-85		
F		CHEVROLET R30	1988-87	F	GMC SONOMA		1993-91		
F		CHEVROLET R3500	1991-89	F	GMC SYCLONE		1991		
F		CHEVROLET V10	1987	F	GMC TYPHOON		1993-92		
F		CHEVROLET V10 SUBURBAN	1988-87	F	OLDSMOBILE BRAVADA		1994-91		
F		CHEVROLET V1500 SUBURBAN	1991-89	F	OLDSMOBILE FIRENZA		1988-84		
F		CHEVROLET V20	1987	F	PONTIAC FIERO		1988-85		
F		CHEVROLET V20 SUBURBAN	1988-87	F	PONTIAC J2000	1983-82			
F		CHEVROLET V2500 SUBURBAN	1991-89	F	PONTIAC J2000 SUNBIRD	1985-84			
F		CHEVROLET V30	1988-87	F	PONTIAC SUNBIRD	1994-86			
F		CHEVROLET V3500	1991-89	F	PONTIAC TEMPEST	1991-87			
F	GMC C1500	1986-85	WPM192	F	CHEVROLET LUMINA APV	1996-90			
F	GMC C1500 SUBURBAN	1986-85		F	OLDSMOBILE SILHOUETTE	1996-90			
F	GMC C2500	1986-85	WPM265	F	PONTIAC TRANS SPORT	1996-90			
F	GMC C2500 SUBURBAN	1986-85		F	AMERICAN MOTORS AMBASSADOR	1974-73			
F	GMC C3500	1986-85		F	AMERICAN MOTORS AMX	1980-73			
F	GMC G1500	1991-83		F	AMERICAN MOTORS CONCORD	1983-78			
F	GMC G2500	1991-83		F	AMERICAN MOTORS EAGLE	1988-80			
F	GMC G3500	1991-83		F	AMERICAN MOTORS GREMLIN	1978-73			
F	GMC JIMMY	1991-85		F	AMERICAN MOTORS HORNET	1977-73			
F	GMC K1500	1986-85		F	AMERICAN MOTORS JAVELIN	1974-73			
F	GMC K1500 SUBURBAN	1986-85		F	AMERICAN MOTORS MATADOR	1978-73			
F	GMC K2500	1986-85		F	AMERICAN MOTORS SPIRIT	1983-79			
F	GMC K2500 SUBURBAN	1986-85	F	FORD BRONCO	1977-66				

(New) denotes New Part Number

NUMERICAL LISTING

WPM No.	Loc	Application	Year	WPM No.	Loc	Application	Year		
WPM265	F	FORD BRONCO II	1990-84	WPM387	F	CHRYSLER NEW YORKER	1993-89		
	F	FORD E-100 ECONOLINE	1974-68		F	DODGE DAKOTA	1996-89		
	F	FORD E-200 ECONOLINE	1974-68		F	DODGE DYNASTY	1993-89		
	F	FORD E-300 ECONOLINE	1974-68		F	DODGE LANCER	1989		
	F	FORD ESCORT	1990-81		F	DODGE MONACO	1992-91		
	F	FORD EXP	1988-82		F	DODGE RAM 1500	1996-94		
	F	FORD EXPLORER	1994-91		F	DODGE RAM 2500	1996-94		
	F	FORD FALCON	1970-66		F	DODGE RAM 3500	1996-94		
	F	FORD GRANADA	1982-75		F	DODGE RAM 4000	1996-95		
	F	FORD LTD	1986-83		F	DODGE SHADOW	1994-89		
	F	FORD MAVERICK	1977-70		F	DODGE SPIRIT	1995-89		
	F	FORD MUSTANG	1986-67		F	EAGLE PREMIER	1992-91		
	F	FORD RANGER	1994-83		F	PLYMOUTH ACCLAIM	1995-89		
	F	FORD TORINO	1976-68		F	PLYMOUTH SUNDANCE	1994-89		
	F	JEEP CHEROKEE	1983-79		WPM388	F	CHRYSLER DAYTONA	1993-89	
	F	JEEP J10	1986-79			F	CHRYSLER FIFTH AVENUE	1989	
	F	JEEP J20	1986-79			F	CHRYSLER LEBARON	1995-89	
	F	JEEP WAGONEER	1983-79			F	CHRYSLER TC MASERATI	1991-89	
	F	LINCOLN VERSAILLES	1980-77			F	CHRYSLER TOWN & COUNTRY	1995-90	
	F	MAZDA B2300	1994			F	DODGE ARIES	1989	
	F	MAZDA B3000	1994			F	DODGE B150	1994-89	
	F	MAZDA B4000	1994			F	DODGE B1500	1997-95	
	F	MAZDA NAVAJO	1994-91			F	DODGE B250	1994-89	
	F	MERCURY CAPRI	1986-79			F	DODGE B2500	1997-95	
	F	MERCURY COMET	1977-66			F	DODGE B350	1994-89	
	F	MERCURY COUGAR	1982-67			F	DODGE B3500	1997-95	
	F	MERCURY LN7	1983-82			F	DODGE CARAVAN	1995-89	
	F	MERCURY LYNX	1987-81			F	DODGE D100	1989	
	F	MERCURY MARQUIS	1986-83			F	DODGE D150	1993-89	
	F	MERCURY MARQUIS	1968-67			F	DODGE D250	1993-89	
	F	MERCURY MONARCH	1980-75			F	DODGE D350	1993-89	
	F	MERCURY MONTEGO	1973-68			F	DODGE DAYTONA	1993-89	
	F	MERCURY ZEPHYR	1983-78			F	DODGE DIPLOMAT	1989	
	WPM267	F	FORD THUNDERBIRD			1993-89	F	DODGE GRAND CARAVAN	1995-89
		F	MERCURY COUGAR			1993-89	F	DODGE OMNI	1990-89
	WPM269	F	FORD CROWN VICTORIA			1994-92	F	DODGE RAMCHARGER	1993-89
		F	LINCOLN TOWN CAR			1994-90	F	DODGE W100	1989
	WPM297	F	MERCURY GRAND MARQUIS			1994-92	F	DODGE W150	1993-89
		F	FORD E-150 ECONOLINE		1994-92	F	DODGE W250	1993-89	
		F	FORD E-150 ECONOLINE CLUB WAGON		1994-92	F	DODGE W350	1993-89	
		F	FORD E-250 ECONOLINE		1994-92	F	PLYMOUTH CARAVELLE	1989	
		F	FORD E-350 ECONOLINE		1994-92	F	PLYMOUTH GRAN FURY	1989	
		F	FORD E-350 ECONOLINE CLUB WAGON		1994-92	F	PLYMOUTH GRAND VOYAGER	1995-89	
		F	FORD ESCORT		1994-91	F	PLYMOUTH HORIZON	1990-89	
		F	FORD MUSTANG		1993-87	F	PLYMOUTH RELIANT	1989	
		F	FORD TEMPO		1994-86	F	PLYMOUTH VOYAGER	1995-89	
		F	FORD TOPAZ (Mexico)		1994-86	WPM432	F	JEEP WRANGLER	1995-87
		F	MERCURY TOPAZ		1994-86		F	JEEP YJ	1995-91
WPM298		F	MERCURY TRACER	1994-91	WPM433	F	JEEP CJ5	1983	
		F	FORD TAURUS	1993-87		F	JEEP CJ7	1986-83	
		F	LINCOLN CONTINENTAL	1994-88	WPM437	F	JEEP CJ5	1982-81	
F		MERCURY SABLE	1993-87	F		JEEP CJ7	1982-81		
WPM299		F	FORD BRONCO	1996-87	WPM438 (New)	F	JEEP CHEROKEE	1999-92	
		F	FORD F SUPER DUTY	1996-90		F	JEEP COMANCHE	1992-91	
		F	FORD F-150	1996-87	WPM439 (New)	F	JEEP GRAND CHEROKEE	1996-93	
	F	FORD F-250	1996-87	F		JEEP GRAND WAGONEER	1993		
	F	FORD F-350	1996-87	WPM440 (New)	F	CHRYSLER CONCORDE	1997-93		
	F	FORD F600	1994-90		F	CHRYSLER INTREPID	1997-93		
	F	FORD F700	1996-87		F	CHRYSLER LHS	1997-94		
	F	FORD F800	1996-87		F	CHRYSLER NEW YORKER	1996-94		
	WPM387	F	CHRYSLER DYNASTY	1993-89	F	DODGE INTREPID	1997-93		
		F	CHRYSLER IMPERIAL	1993-90	F	EAGLE VISION	1997-93		
F		CHRYSLER LEBARON	1994-89	WPM442	F	JEEP TJ	2002-97		

(New) denotes New Part Number

NUMERICAL LISTING

WPS No.	Loc	Application	Year	WPS No.	Loc	Application	Year
WPM442	F	JEEP WRANGLER	2002-97	WPM1027	F	CADILLAC ESCALADE EXT	2002
WPM443 (New)	F	DODGE DAKOTA	2010-97		F	CHEVROLET AVALANCHE 1500	2002
	F	DODGE DURANGO	2003-98		F	CHEVROLET AVALANCHE 2500	2002
	F	JEEP GRAND CHEROKEE	2004-99		F	CHEVROLET SILVERADO 1500	2002-99
	F	JEEP LIBERTY	2007-02		F	CHEVROLET SILVERADO 1500 HD	2002-01
	F	MITSUBISHI RAIDER	2009-06		F	CHEVROLET SILVERADO 2500	2002-99
	F	RAM DAKOTA	2011		F	CHEVROLET SILVERADO 2500 HD	2002-01
WPM444 (New)	R	JEEP CHEROKEE	2001-97		F	CHEVROLET SILVERADO 3500	2002-01
WPM446 (New)	R	JEEP GRAND CHEROKEE	1998-93		F	CHEVROLET SILVERADO 3500	2002-01
	R	JEEP GRAND WAGONEER	1993		F	CHEVROLET SUBURBAN 1500	2002-00
	R	JEEP GRAND CHEROKEE	2004-99		F	CHEVROLET SUBURBAN 2500	2002-00
WPM450	R	JEEP LIBERTY	2007-02		F	CHEVROLET TAHOE	2002-00
WPM1003	F	CHEVROLET ASTRO	2005-94		F	GMC SIERRA 1500	2002-99
	F	GMC SAFARI	2005-94		F	GMC SIERRA 1500 HD	2002-01
WPM1004	F	CHEVROLET BLAZER	1997-95		F	GMC SIERRA 2500	2002-99
	F	CHEVROLET S10 PICKUP	1997-94		F	GMC SIERRA 2500 HD	2002-01
	F	GMC JIMMY	1997-95		F	GMC SIERRA 3500	2002-01
	F	GMC SONOMA	1997-94		F	GMC YUKON	2002-00
	F	ISUZU HOMBRE	1997-96		F	GMC YUKON XL 1500	2002-00
	F	OLDSMOBILE BRAVADA	1997-96		F	GMC YUKON XL 2500	2002-00
WPM1005	R	CHEVROLET BLAZER	2005-95	WPM1029	F	BUICK LESABRE	2005-00
	R	GMC JIMMY	2001-95		F	CADILLAC DEVILLE	2005-00
	R	OLDSMOBILE BRAVADA	2001-96		F	OLDSMOBILE AURORA	2003-01
WPM1010	F	CHEVROLET CAVALIER	1997-95		F	PONTIAC BONNEVILLE	2005-00
	F	PONTIAC SUNFIRE	1997-95	WPM1030	F	CHEVROLET BLAZER	2004-98
WPM1012	F	BUICK CENTURY	2005-97		F	CHEVROLET S10 PICKUP	2004-98
	F	BUICK REGAL	2004-97		F	GMC JIMMY	2004-98
	F	CHEVROLET IMPALA	2005-00		F	GMC SONOMA	2004-98
	F	CHEVROLET MONTE CARLO	2005-00		F	ISUZU HOMBRE	2000-98
	F	OLDSMOBILE INTRIGUE	2002-98		F	OLDSMOBILE BRAVADA	2001-98
	F	PONTIAC GRAND PRIX	2003-97	WPM1035 (New)	F	SATURN L100	2002-01
WPM1013	F	CHEVROLET C4500 KODIAK	2009-03		F	SATURN L200	2003-01
	F	CHEVROLET C5500 KODIAK	2009-03		F	SATURN L300	2005-01
	F	CHEVROLET C6500 KODIAK	2009-03		F	SATURN L300-1	2004
	F	CHEVROLET C7500 KODIAK	2009-03		F	SATURN L300-2	2004
	F	CHEVROLET EXPRESS 1500	2002-96		F	SATURN L300-3	2004
	F	CHEVROLET EXPRESS 2500	2002-96		F	SATURN LS	2000
	F	CHEVROLET EXPRESS 3500	2002-96		F	SATURN LS1	2000
	F	GMC C4500 TOPKICK	2009-03		F	SATURN LS2	2000
	F	GMC C5500 TOPKICK	2009-03		F	SATURN LS2	2000
	F	GMC C6500 TOPKICK	2009-03		F	SATURN LW1	2000
	F	GMC C7500 TOPKICK	2009-03		F	SATURN LW2	2000
	F	GMC SAVANA 1500	2002-96		F	SATURN LW200	2003-01
	F	GMC SAVANA 2500	2002-96	WPM1045 (New)	R	BUICK RAINIER	2007-04
	F	GMC SAVANA 3500	2002-96		R	CHEVROLET TRAILBLAZER	2009-04
WPM1014	F	CHEVROLET CLASSIC	2005-04		R	GMC ENVOY	2009-04
	F	CHEVROLET MALIBU	2003-97		R	ISUZU ASCENDER	2008-03
	F	OLDSMOBILE CUTLASS	1999-97		R	OLDSMOBILE BRAVADA	2004
WPM1015 (New)	F	CHEVROLET CAVALIER	2003-98		R	SAAB 9-7X	2009-05
	F	OLDSMOBILE ALERO	2003-99	WPM1046 (New)	F	CADILLAC ESCALADE	2003
	F	PONTIAC GRAND AM	2003-99		F	CADILLAC ESCALADE ESV	2003
	F	PONTIAC SUNFIRE	2003-98		F	CADILLAC ESCALADE EXT	2003
WPM1019 (New)	F	CHEVROLET CORVETTE	2004-97		F	CHEVROLET AVALANCHE 1500	2003
WPM1020 (New)	F	BUICK PARK AVENUE	2005-97		F	CHEVROLET AVALANCHE 2500	2003
WPM1025	F	CHEVROLET VENTURE	2005-97		F	CHEVROLET SILVERADO 1500	2003
	F	OLDSMOBILE SILHOUETTE	2004-97		F	CHEVROLET SILVERADO 1500 HD	2003
	F	PONTIAC MONTANA	2005-99		F	CHEVROLET SILVERADO 2500	2003
	F	PONTIAC TRANS SPORT	1998-97		F	CHEVROLET SILVERADO 2500 HD	2003
WPM1026	R	CHEVROLET VENTURE	2005-97		F	CHEVROLET SILVERADO 3500	2003
	R	OLDSMOBILE SILHOUETTE	2004-97		F	CHEVROLET SUBURBAN 1500	2003
	R	PONTIAC MONTANA	2005-99		F	CHEVROLET SUBURBAN 2500	2003
	R	PONTIAC TRANS SPORT	1998-97		F	CHEVROLET TAHOE	2003
WPM1027	F	CADILLAC ESCALADE	2002		F	GMC SIERRA 1500	2003
	F	CADILLAC ESCALADE	2002		F	GMC SIERRA 1500 HD	2003

(New) denotes New Part Number

NUMERICAL LISTING

WPM No.	Loc	Application	Year	WPM No.	Loc	Application	Year	
WPM1046 (New)	F	GMC SIERRA 2500	2003	WPM1835	F	VOLKSWAGEN PASSAT	1997-90	
	F	GMC SIERRA 2500 HD	2003	WPM1836	F	MERCEDES-BENZ ML320	1998	
	F	GMC SIERRA 3500	2003		F	VOLKSWAGEN CABRIO	1999-98	
	F	GMC YUKON XL 1500	2003	F	VOLKSWAGEN GOLF	1999-94		
	F	GMC YUKON XL 2500	2003	WPM2001	F	VOLKSWAGEN JETTA	1999-94	
WPM1049	R	CADILLAC ESCALADE	2006-02		F	FORD SABLE (Mexico)	1995	
	R	CADILLAC ESCALADE ESV	2006-03		F	FORD TAURUS	1995-87	
	R	CHEVROLET SUBURBAN 1500	2006-03	F	LINCOLN CONTINENTAL	1997-88		
	R	CHEVROLET SUBURBAN 2500	2006-03	F	MERCURY SABLE	1995-87		
	R	CHEVROLET TAHOE	2006-03	WPM2002 (New)	F	FORD BRONCO	1996-87	
	R	GMC YUKON	2006-03		F	FORD F SUPER DUTY	1997-88	
	R	GMC YUKON XL 1500	2006-03		F	FORD F-150	1996-87	
	R	GMC YUKON XL 2500	2006-03		F	FORD F-250	1997-87	
	F	SATURN VUE	2006-02		F	FORD F-350	1997-87	
	WPM1055 (New)	R	BUICK TERRAZA	2007-05	F	FORD F-450 SUPER DUTY	1997	
WPM1058		R	CHEVROLET UPLANDER	2009-05	F	FORD F53	1997-88	
	R	PONTIAC MONTANA	2009-05	F	FORD F59	1997-88		
	R	SATURN RELAY	2007-05	F	FORD F600	1994-90		
	R	SATURN RELAY-1	2007	F	FORD F700	1998-90		
	R	SATURN RELAY-2	2007-05	F	FORD F800	1999-90		
	R	SATURN RELAY-3	2007-05	F	FORD FT800	1990		
	WPM1059 (New)	F	CHEVROLET COBALT	2010-05	WPM2003 (New)	F	FORD COUGAR	1996-91
		F	PONTIAC G5	2010-07		F	FORD E-150 ECONOLINE	1996-95
		F	PONTIAC PURSUIT	2006-05		F	FORD E-250 ECONOLINE	1996-95
		F	SATURN ION	2007-03		F	FORD E-350 ECONOLINE	1996-95
F		SATURN ION-1	2005-03	F		FORD ECONOLINE SUPER DUTY	1996	
F		SATURN ION-2	2007-03	F		FORD ESCORT	1996-91	
F		SATURN ION-3	2007-03	F		FORD EXPLORER	1997-95	
WPM1254 (New)	F	MERCURY VILLAGER	2002-93	F	FORD MUSTANG	1993-87		
	F	NISSAN QUEST	2002-93	F	FORD RANGER	1997-95		
WPM1427 (New)	F	ACURA CL	1999-97	F	FORD THUNDERBIRD	1997-89		
	F	ACURA TL	1998-95	F	MAZDA B2300	1997-95		
	F	HONDA ACCORD	1997-94	F	MAZDA B3000	1997-95		
WPM1428 (New)	F	HONDA CIVIC	2000-92	F	MAZDA B4000	1997-95		
WPM1512	F	MERCEDES-BENZ 190D	1989-84	F	MERCURY COUGAR	1997-89		
	F	MERCEDES-BENZ 190E	1993-84	F	MERCURY MOUNTAINEER	1997		
WPM1513	F	MERCEDES-BENZ 260E	1989-87	F	MERCURY TRACER	1996-91		
	F	MERCEDES-BENZ 300CE	1993-88	WPM2005	F	FORD CROWN VICTORIA	2002-95	
	F	MERCEDES-BENZ 300D	1993-87		F	FORD GRAND MARQUIS (Mexico)	2002-95	
	F	MERCEDES-BENZ 300E	1993-86	F	LINCOLN TOWN CAR	1997-95		
	F	MERCEDES-BENZ 300TE	1993-88	F	MERCURY GRAND MARQUIS	2002-95		
	F	MERCEDES-BENZ 400E	1993-92	WPM2008	F	LINCOLN MARK VIII	1998-94	
	F	MERCEDES-BENZ 500E	1993-92	WPM2009	F	FORD CONTOUR	1997-95	
	F	MERCEDES-BENZ E300	1995	F	FORD MYSTIQUE (Mexico)	1997-95		
	F	MERCEDES-BENZ E320	1995-94	F	MERCURY MYSTIQUE	1997-95		
	F	MERCEDES-BENZ E420	1995-94	WPM2010	F	FORD CONTOUR	2000-95	
	F	MERCEDES-BENZ E500	1994		F	FORD ESCAPE	2007-01	
	WPM1735 (New)	F	LEXUS ES250		1991-90	F	FORD EXCURSION	2001-00
		F	TOYOTA 4RUNNER		2002-89	F	FORD EXPEDITION	2002-97
		F	TOYOTA CAMRY		1991-87	F	FORD EXPLORER	2002
		F	TOYOTA PASEO		1992	F	FORD F-150	2004-97
F		TOYOTA PICKUP	1995-89		F	FORD F-250	1999-97	
F		TOYOTA SUPRA	1993-86		F	FORD F-250 SUPER DUTY	2001-99	
F		TOYOTA TERCEL	1992-89		F	FORD F-350 SUPER DUTY	2001-99	
WPM1835	F	VOLKSWAGEN BEETLE	2010-98		F	FORD F-450 SUPER DUTY	2001-99	
	F	VOLKSWAGEN CABRIO	2002-00	F	FORD F53	2003-99		
	F	VOLKSWAGEN CABRIO	1997-95	F	FORD F-550 SUPER DUTY	2001-99		
	F	VOLKSWAGEN CORRADO	1994-90	F	FORD F650	2007-00		
	F	VOLKSWAGEN EUROVAN	2003-93	F	FORD F750	2007-00		
	F	VOLKSWAGEN GOLF	2001-00	F	FORD LOBO	2003-01		
	F	VOLKSWAGEN GOLF	1993	F	FORD MYSTIQUE (Mexico)	2000-95		
	F	VOLKSWAGEN JETTA	2001-00	F	FORD SABLE (Mexico)	2000-96		
	F	VOLKSWAGEN JETTA	1993	F	FORD TAURUS	2007-96		

(New) denotes New Part Number

NUMERICAL LISTING

WPS No.	Loc	Application	Year	WPS No.	Loc	Application	Year
WPM2010	F	FORD THUNDERBIRD	2002	WPM2034	F	FORD WINDSTAR	2003-97
	F	JAGUAR S-TYPE	2006-00	WPM2036 (New)	F	FORD EDGE	2009-07
	F	LINCOLN BLACKWOOD	2003-02		F	FORD EXCURSION	2005-02
	F	LINCOLN CONTINENTAL	2002-98		F	FORD EXPEDITION	2006-02
	F	LINCOLN LS	2002-00		F	FORD EXPLORER	2007-02
	F	LINCOLN NAVIGATOR	2002-98		F	FORD EXPLORER SPORT TRAC	2007
	F	LINCOLN TOWN CAR	2002-98		F	FORD F-150	2007-04
	F	MAZDA TRIBUTE	2006-01		F	FORD F-250 Super Duty	2007-02
	F	MERCURY COUGAR	2002-99		F	FORD F-350 Super Duty	2007-02
	F	MERCURY MARINER	2007-05		F	FORD F-450 Super Duty	2007-02
	F	MERCURY MOUNTAINEER	2002		F	FORD F-550 Super Duty	2007-02
	F	MERCURY MYSTIQUE	2000-95		F	FORD FIVE HUNDRED	2007-05
	F	MERCURY SABLE	2005-96		F	FORD FREESTYLE	2007-05
WPM2011 (New)	F	FORD WINDSTAR	1996-95		F	FORD LOBO (Mexico)	2007-04
WPM2013	F	FORD COUGAR	1996-91		F	FORD MUSTANG	2007-05
	F	FORD E-150	2004-03		F	FORD TAURUS	2008
	F	FORD E-150 CLUB WAGON	2004-03		F	FORD THUNDERBIRD	2005-03
	F	FORD E-150 ECONOLINE	2002-95		F	LINCOLN AVIATOR	2005-03
	F	FORD E-150 ECONOLINE CLUB WAGON	2002-95		F	LINCOLN LS	2006-03
	F	FORD E-250	2004-03		F	LINCOLN MARK LT	2007-06
	F	FORD E-250 ECONOLINE	2002-95		F	LINCOLN MKX	2009-07
	F	FORD E-250 SUPER DUTY	2004		F	LINCOLN NAVIGATOR	2007-02
	F	FORD E-350	2003		F	LINCOLN TOWN CAR	2007-03
	F	FORD E-350 CLUB WAGON	2004-03		F	MERCURY MONTEGO	2007-05
	F	FORD E-350 ECONOLINE	2002-95		F	MERCURY MOUNTAINEER	2007-02
	F	FORD E-350 ECONOLINE CLUB WAGON	2002-95		F	MERCURY SABLE	2008
	F	FORD E-350 SUPER DUTY	2004	WPM2037 (New)	F	FORD F SUPER DUTY	1997-96
	F	FORD E-450 ECONOLINE SUPER DUTY	2001-00		F	FORD F700	1998-95
	F	FORD E-450 ECONOLINE SUPER DUTY STRIPPED	2002-00		F	FORD F800	1999-95
	F	FORD E-450 SUPER DUTY	2004-03	WPM2038	F	FORD FOCUS	2007-00
	F	FORD E-450 SUPER DUTY STRIPPED CHASSIS	2003	WPM2044	R	FORD ESCAPE	2007-01
	F	FORD E-550 ECONOLINE SUPER DUTY	2002		R	MAZDA TRIBUTE	2006-01
	F	FORD E-550 SUPER DUTY	2003		R	MERCURY MARINER	2007-05
	F	FORD ECONOLINE SUPER DUTY	1999-96	WPM2048 (New)	F	FORD CROWN VICTORIA	2006-03
	F	FORD ESCORT	2003-91		F	FORD E-150	2014-05
	F	FORD EXPLORER	2003-95		F	FORD E-150 Club Wagon	2005
	F	FORD EXPLORER SPORT TRAC	2002-01		F	FORD E-150 ECONOLINE	2008-07
	F	FORD RANGER	2007-95		F	FORD E-250	2014-05
	F	FORD THUNDERBIRD	1997-90		F	FORD E-250 SUPER DUTY	2005
	F	MAZDA B2300	2007-01		F	FORD E-350 CLUB WAGON	2005
	F	MAZDA B2500	2001-98		F	FORD E-350 ECONOLINE	2008-07
	F	MAZDA B3000	2007-98		F	FORD E-350 SUPER DUTY	2014-05
	F	MAZDA B4000	2007-98		F	FORD E-450 SUPER DUTY	2014-05
	F	MERCURY COUGAR	1997-90		F	FORD EXPLORER SPORT TRAC	2005-03
	F	MERCURY MOUNTAINEER	2001-97		F	FORD GRAND MARQUIS (Mexico)	2004-03
	F	MERCURY TRACER	1999-91		F	MERCURY GRAND MARQUIS	2006-03
WPM2015 (New)	F	LEXUS ES300	2003-97	WPM2060 (New)	R	FORD EXPEDITION	2009-03
	F	LEXUS ES330	2006-04		R	LINCOLN NAVIGATOR	2009-03
	F	LEXUS IS300	2005-01	WPM2062	R	FORD EXPLORER	2010-06
	F	LEXUS RX330	2006-04		R	MERCURY MOUNTAINEER	2010-06
	F	LEXUS RX350	2009-07	WPM2103 (New)	F	BMW 525i	2004-01
	F	SCION XB	2006-04		F	BMW 528i	2000-97
	F	TOYOTA CAMRY	2006-02		F	BMW 530i	2003-01
	F	TOYOTA RAV4	2005-01		F	BMW 540i	2003-97
	F	TOYOTA SIENNA	2010-04		F	BMW M5	2003-00
	F	TOYOTA SOLARA	2008-99		F	LAND ROVER RANGE ROVER	2012-03
WPM2030	R	FORD EXPEDITION	2002-97	WPM3000	F	DODGE RAM 1500	1999-97
	R	FORD EXPLORER	2002-98		F	DODGE RAM 2500	1999-97
	R	LINCOLN NAVIGATOR	2002-98		F	DODGE RAM 3500	1999-97
	R	MERCURY MOUNTAINEER	2001-98		F	DODGE RAM 4000	1999-97
WPM2033	R	FORD WINDSTAR	2001-99	WPM3001	F	CHRYSLER GRAND VOYAGER	2000
					F	CHRYSLER TOWN & COUNTRY	2000-96

(New) denotes New Part Number

NUMERICAL LISTING

WPS No.	Loc	Application	Year	WPS No.	Loc	Application	Year
WPM3001	F	CHRYSLER VOYAGER	2000	WPM4201 (New)	F	mitsubishi MONTERO SPORT	2004-97
	F	DODGE CARAVAN	2000-96	WPM4307 (New)	F	NISSAN ALTIMA	2001-96
	F	DODGE GRAND CARAVAN	2000-96	WPM4403 (New)	F	DODGE VERNA (Mexico)	2004
	F	PLYMOUTH GRAND VOYAGER	2000-96	F	HYUNDAI ACCENT	2005-97	
WPM3009	F	PLYMOUTH VOYAGER	2000-96	F	HYUNDAI ELANTRA	2000-96	
	F	DODGE B1500	1998	F	HYUNDAI TIBURON	2001-97	
	F	DODGE B2500	1998	WPM6004 (New)	F	MITSUBISHI OUTLANDER	2006-03
	F	DODGE B3500	1998	F	SUZUKI AERIO	2007-02	
WPM3016L (New)	F	DODGE RAM 1500 VAN	2003-98	F	TOYOTA CAMRY	2001-97	
	F	DODGE RAM 2500 VAN	2003-98	WPM6036 (New)	F	TOYOTA AVALON	2005-00
	F	DODGE RAM 3500 VAN	2003-98	WPM6053 (New)	F	TOYOTA PASEO	1998
	F	CHRYSLER GRAND VOYAGER	2002-01	F	TOYOTA TERCEL	1999-97	
WPM3018	F	CHRYSLER TOWN & COUNTRY	2003-01	WPM8000 (New)	F	BLUEBIRD BUS 30 NM	All
	F	CHRYSLER VOYAGER	2003-01	WPM8001 (New)	F	BLUEBIRD BUS 30 NM	All
	F	DODGE CARAVAN	2003-01	WPM8002 (New)	F	BLUEBIRD BUS 32 NM	All
	F	DODGE GRAND CARAVAN	2003-01	WPM8003 (New)	F	BLUEBIRD BUS WWJ SERIES	All
WPM3018	R	CHRYSLER GRAND VOYAGER	2002-01	WPM8004 (New)	F	CASE 570LXT	1999-95
	R	CHRYSLER PT CRUISER	2003-01	F	CASE 580K	1994-86	
	R	CHRYSLER TOWN & COUNTRY	2003-01	F	CASE 580L	2006-95	
	R	CHRYSLER VOYAGER	2003-01	F	CASE 580SK	All	
WPM3024	R	DODGE CARAVAN	2003-01	F	CASE 580SL	All	
	R	DODGE GRAND CARAVAN	2003-01	F	CASE 590 TURBO	All	
	F	DODGE RAM 1500	2002-00	F	CASE 590L	2001-92	
	F	DODGE RAM 2500	2002-00	F	CASE 590SL	All	
WPM3025 (New)	F	DODGE RAM 3500	2002-00	F	CASE 90XT	2006-97	
	F	DODGE RAM 4000	2002-00	F	CASE 95XT	2006-97	
	F	DODGE RAM 1500	2009-03	WPM8005 (New)	F	JOHN DEERE 484	1983-79
	F	DODGE RAM 2500	2010-03	F	JOHN DEERE 2250	1978-75	
WPM3028	F	DODGE RAM 3500	2010-03	F	JOHN DEERE 2270	1978-75	
	F	DODGE RAM 4500	2010-08	F	JOHN DEERE 2280	1985-75	
	F	DODGE RAM 5500	2010-08	F	JOHN DEERE 2420	1985-75	
	R	CHRYSLER PT CRUISER	2010-04	F	JOHN DEERE 2510	1968-65	
WPM3028	R	CHRYSLER TOWN & COUNTRY	2007-04	F	JOHN DEERE 3020	1972-63	
	R	CHRYSLER VOYAGER	2007-06	F	JOHN DEERE 4000	1972-69	
	R	DODGE CARAVAN	2007-04	F	JOHN DEERE 4020	1972-63	
	R	DODGE GRAND CARAVAN	2007-04	F	JOHN DEERE 4030	1978-73	
	R	MERCEDES-BENZ GL320	2009-07	F	JOHN DEERE 4040	1982-78	
	R	MERCEDES-BENZ GL350	2014-10	F	JOHN DEERE 4050	1988-83	
	R	MERCEDES-BENZ GL450	2014-07	F	JOHN DEERE 4055	1992-89	
	R	MERCEDES-BENZ GL550	2014-08	F	JOHN DEERE 4230	1978-73	
	R	MERCEDES-BENZ ML320	2009-07	F	JOHN DEERE 4240	1982-78	
	R	MERCEDES-BENZ ML350	2014-06	F	JOHN DEERE 4250	1988-83	
	R	MERCEDES-BENZ ML450	2011-10	F	JOHN DEERE 4255	1992-89	
	R	MERCEDES-BENZ ML500	2007-06	F	JOHN DEERE 4320	2009-04	
	R	MERCEDES-BENZ ML550	2014-08	F	JOHN DEERE 4400	2007-98	
	R	MERCEDES-BENZ ML63 AMG	2014-07	F	JOHN DEERE 4420	1984-81	
	R	MERCEDES-BENZ R320	2009-07	F	JOHN DEERE 4430	1978-73	
	R	MERCEDES-BENZ R350	2012-06	F	JOHN DEERE 4440	1982-78	
R	MERCEDES-BENZ R500	2007-06	F	JOHN DEERE 4450	1990-83		
WPM3503 (New)	R	MERCEDES-BENZ R63 AMG	2007	F	JOHN DEERE 4455	1992-89	
	F	AUDI A4	2001-96	F	JOHN DEERE 4520	2009-04	
	F	AUDI A4 QUATTRO	2002-96	F	JOHN DEERE 4555	1992-89	
	F	AUDI S4	2002-01	F	JOHN DEERE 4560	1992-89	
WPM4000	F	VOLKSWAGEN PASSAT	1999-98	F	JOHN DEERE 4630	1978-73	
	F	HONDA CIVIC	2000-96	F	JOHN DEERE 4640	1982-78	
WPM4021 (New)	F	HONDA CR-V	2001-97	F	JOHN DEERE 4650	1988-83	
	R	HONDA ODYSSEY	2004-99	F	JOHN DEERE 4755	1993-92	
WPM4028 (New)	F	ACURA MDX	2006-05	F	JOHN DEERE 4760	1993-92	
	F	ACURA TL	2008-04	F	JOHN DEERE 4840	1982-79	
	F	ACURA TSX	2008-04	F	JOHN DEERE 4850	1988-83	
	F	HONDA ACCORD	2007-03	F	JOHN DEERE 4955	1993-92	
WPM4201 (New)	F	HONDA PILOT	2008-05	F	JOHN DEERE 4960	1993-92	
	F	MITSUBISHI MIRAGE	2002-97	F	JOHN DEERE 5020	1972-66	

(New) denotes New Part Number

NUMERICAL LISTING

WPS No.	Loc	Application	Year	WPS No.	Loc	Application	Year
WPM8005 (New)	F	JOHN DEERE 5200	1978-76				
	F	JOHN DEERE 5400	2005-92				
	F	JOHN DEERE 5440	1982-77				
	F	JOHN DEERE 5460	1982-77				
	F	JOHN DEERE 5720	1986-82				
	F	JOHN DEERE 5820	1986-82				
	F	JOHN DEERE 6000	1979-75				
	F	JOHN DEERE 6030	1977-70				
	F	JOHN DEERE 6600	1998-92				
	F	JOHN DEERE 6620	2005-02				
	F	JOHN DEERE 7020	1975-71				
	F	JOHN DEERE 7440	1986-84				
	F	JOHN DEERE 7445	1994-87				
	F	JOHN DEERE 7700	1982-70				
	F	JOHN DEERE 7720	1988-81				
	F	JOHN DEERE 8430	1978-75				
	F	JOHN DEERE 8440	1982-79				
	F	JOHN DEERE 8450	1988-82				
	F	JOHN DEERE 8630	1980-75				
	F	JOHN DEERE 8640	1982-79				
	F	JOHN DEERE 8650	1989-82				
	F	JOHN DEERE 8820	1988-81				
	F	JOHN DEERE 8850	1988-81				
	F	JOHN DEERE 9900	1978-75				
	F	JOHN DEERE 9910	1987-79				
	F	JOHN DEERE 9920	1987-83				
	F	JOHN DEERE 9930	1993-87				
	F	JOHN DEERE 9940	1986-83				
	F	JOHN DEERE 9950	1990-87				
	F	JOHN DEERE 9960	1993-87				
	F	JOHN DEERE 2320 WINDROWER	1983-81				
	F	JOHN DEERE 7520 FARM TRACTOR	1975-71				
WPM8574 (New)	R	HYUNDAI VERACRUZ	2012-07				
WPM85008 (New)	F	HYUNDAI AZERA	2014-12				
	F	HYUNDAI ELANTRA	2008				
	F	HYUNDAI SONATA	2014-13				
	F	KIA FORTE	2013-10				
	F	KIA FORTE5	2013-12				

(New) denotes New Part Number

NOTES

Lined area for notes with horizontal ruling lines.

Copyright 2015 Wetherill Associates, Inc.



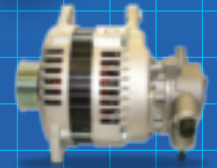
*Don't forget
we also supply...*



**Starter
Motors**



Alternators



**Ignition
Coils**



**Clutch
Pulleys**

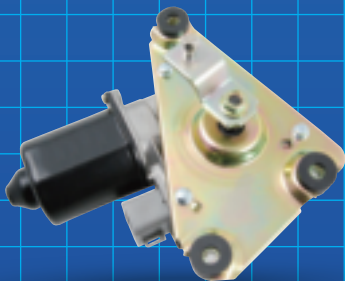
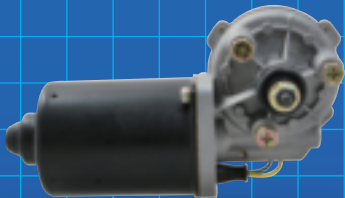


**MAP
Sensors**



www.waiglobal.com

WAIglobal
a USA company



USA

WAIglobal USA

411 Eagleview Blvd
Suite 100
Exton
PA 19341

Tel: 484.875.6600
Toll Free: 800.877.3340
Fax: 800.948.6121



Canada

Montréal

4711 Boul. Couture
Montréal (St-Léonard)
Québec
H1R 3H7

Tel: 514.324.7922
Toll Free: 800.661.2962
Fax: 514.328.1535



Canada

Toronto

34 Alex Avenue
Vaughan
Ontario L4L 5X1

Tel: 416.740.9200
Toll Free: 800.387.2807
Fax: 416.740.5348



Europe

WAI Europe b.v.

Klappolder 225
2665 MR Bleiswijk
The Netherlands

Tel: 31(0)10.524.1980
Fax: 31(0)10.524.1981



United Kingdom

WAIglobal UK Ltd

Christie Place
Durban Road
Bognor Regis
West Sussex PO22 9RT

Tel: +44 (0)1243 833 420
Fax: +44 (0)1243 833 421



Poland

WAIglobal Polska

Reslogistic
Park Logistyczny Rogoźnica
Rogoźnica 306 A
30-060 Głogów Małopolski (k.Rzeszowa)

Tel: +48 (0)17 77 25 805



Brazil

WAIglobal Brazil Ltda

Av. Coronel Marcos Konder
1207-Sala 7088.301-303
Itajai-SC

Tel/Fax: (47)3046.1600



China

Transpo Electronics Shanghai LTD

Building No. 32 215 De Bao Rd
Wai Gao Qiao Free Trade Zone
Pudong, Shanghai 200131
Peoples Republic of China

Tel: 86.21.5048.2700
Fax: 86.21.5048.2722